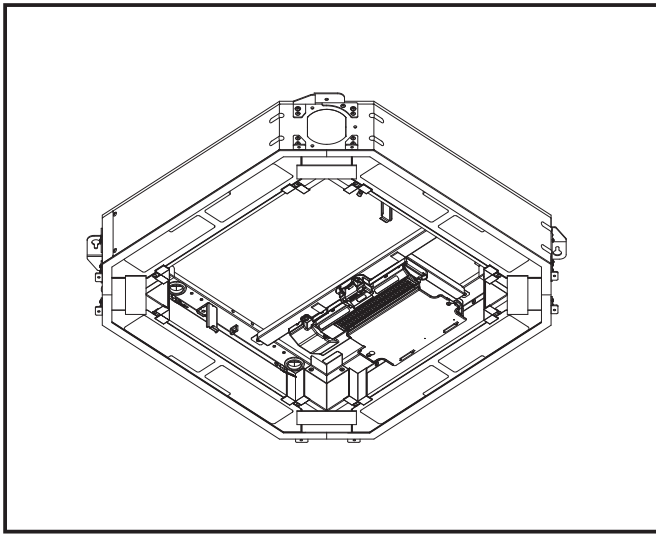


Figure



Descriptions

A Part to purify the inhaled air.
It can also be used for introducing fresh air from outdoor.

Applicable Models

- PLA-ZM·EA series
- PLA-M·EA series
- PLA-SM·EA series

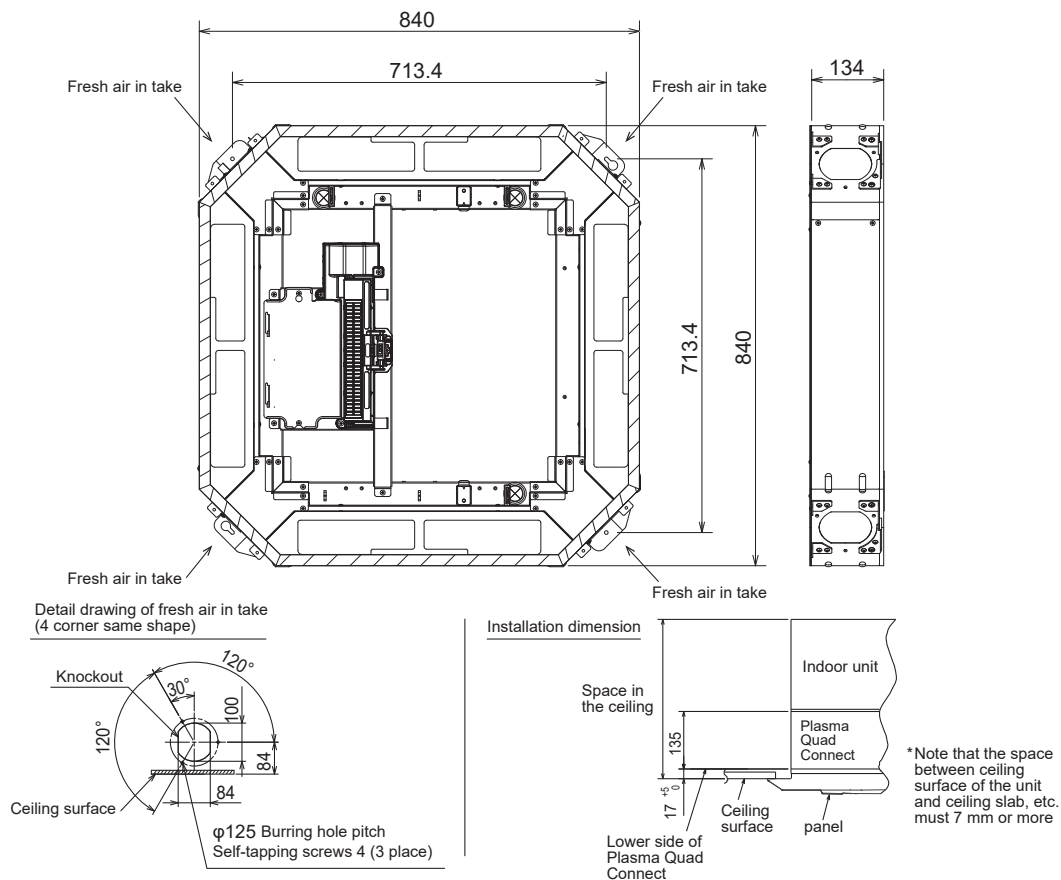
Specifications

Connected duct diameter (mm)		
Fresh air intake	Number of intakes	Any 2 corners or less (among four corners)
	Input volume	20% or less of indoor units air volume
Air purifying equipment		Plasma element

Dimensions

Unit : mm

See from the panel side



OPTIONAL PARTS

INDOOR UNIT