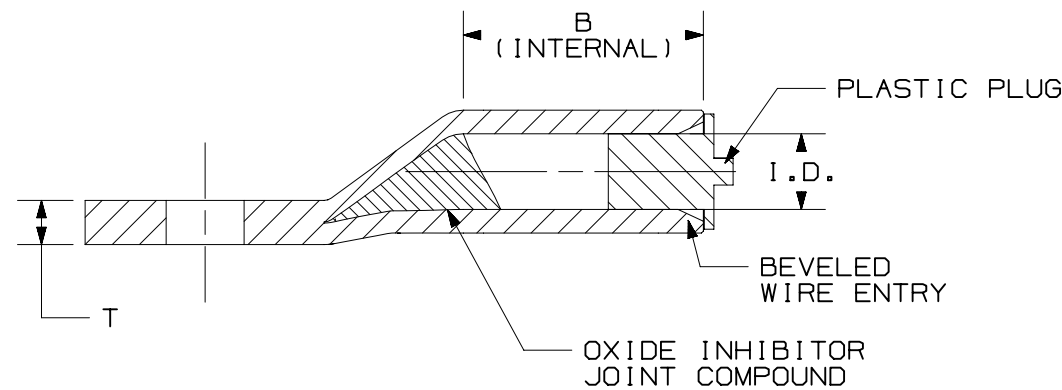
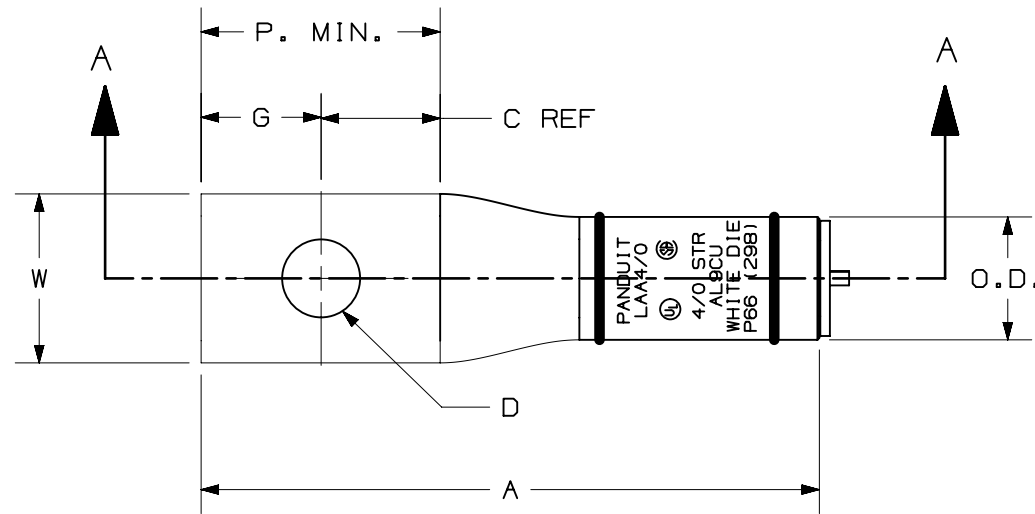


PANDUIT PART NUMBER	PACKAGE QUANTITY	CONDUCTOR SIZE	WIRE STRIP LENGTH	STUD SIZE	OVERALL LENGTH "A" ±.12	BARREL LENGTH "B" MIN.	I.D. ±.01	O.D. ±.01	TONGUE WIDTH "W" ± .06	TONGUE THICKNESS "T" ± .02	TONGUE LENGTH "P" MIN.	HOLE OFFSET "G" ± .03	STUD HOLE DIA "D" ±.02	WRENCH CLEARANCE "C" REF	PANDUIT DIE COLOR CODE (BURNDY DIE INDEX NUMBER)
LAA2/0-38-40	40	2/0 AWG	1-7/16"	3/8"	3.25	1.38	.44	.69	.94	.23	1.25	.63	.41	.62	OLIVE DIE P54 (297)
LAA3/0-38-E	20	3/0 AWG	1-9/16"	3/8"	3.50	1.50	.48	.76	1.03	.27	1.31	.63	.41	.68	RUBY DIE P60 (467)
LAA3/0-12-E	20			1/2"									.53		
LAA4/0-38-30	30	4/0 AWG	1-9/16"	3/8"	3.56	1.50	.55	.88	1.19	.31	1.31	.63	.41	.68	WHITE DIE P66 (298)
LAA4/0-12-30	30			1/2"									.53		
LAA250-38-E	20	250 kcmil	1-3/4"	3/8"	3.67	1.63	.59	.91	1.25	.31	1.31	.63	.41	.68	RED DIE P71 (324)
LAA250-12-E	20			1/2"									.53		

NOTES:

- MATERIAL: SEAMLESS ALUMINUM TUBING, TIN PLATED
- BARREL COLOR CODED WITH DIE SET INDEX NUMBER
- WIRE TYPE:
COPPER CLASS B CONCENTRIC, COMPRESSED AND COMPACT STRANDED WIRE
COPPER CLASS C CONCENTRIC STRANDED WIRE
ALUMINUM CLASS B, CONCENTRIC, COMPRESSED, AND UNIDIRECTIONAL LAY COMPACT STRANDED WIRE
- UL LISTED & CSA CERTIFIED TEMPERATURE RATED 90° (AL9CU)
- UL LISTED & CSA CERTIFIED VOLTAGE RATING 35KV
- DIMENSIONS IN INCHES



SECTION A-A

PART NUMBER		SEE TABLE	
TITLE			
LAA SERIES 2/0 - 250 kcmil ALUMINUM LUGS			
CUSTOMER DRAWING			
ITEM REVISION NAME		02903NBB/01	
DATASET FILE NAME		02903NBB-DC/01A	
THIRD ANGLE PROJECTION			
MATERIAL		SEE NOTES	
DRAWING NUMBER		02903NBB - DC	
DRAWN BY	DATE	CHK	SCALE
JHNU	8-14-23	JHNU	NONE
SHEET 1 OF 1		B	

REV	DATE	BY	CHK	APR	DESCRIPTION	ECN
01A	8-14-23	JHNU	JHNU	MRWA	A. CONVERTED TO NX	133208

B

B

A

A

B-SIZE CUSTOMER