



Product designation	Surge Protection Device (SPD)
Product type designation	SA0
Operating voltage type	AC
Application	AC Power lines
Number of poles	4P
Number of DIN modules	4
Relay output	Yes
SPD according to IEC/EN 61643-11	YES

#### Electrical features

IEC Maximum continuous voltage $U_c$	V	300
IEC Impulse current $I_{imp}$ 10/350 (L-N/N-PE)	kA	12.5
IEC Maximum discharge current $I_{max}$ 8/20 (L-N/N-PE)	kA	40
IEC Rated discharge current (IEC) $I_n$ 8/20 (L-N/N-PE)	kA	20
IEC Voltage protection level $U_p$ (L-N/N-PE)	kV	<1.5
Temporary overvoltage (TOV) withstand $U_t$ (L-N for 5s)	V	335
IEC Follow current $I_f$ (N-PE) rms	A	No
Tripping time $t_a$ (L-N/N-PE)	ns	<25
Thermal insulation protection		YES
IEC Backup protection fuse with supply fuse >160A (L-N/N-PE)	Class/A	160 Gg
IEC Maximum short circuit current at 50Hz	kA	50

Status indicator - operating / end of life	Frontal indication/Aux contact
--	--------------------------------

#### Ambient conditions

Operating temperature	min	°C	-40
	max	°C	+80
Max altitude		m	2000

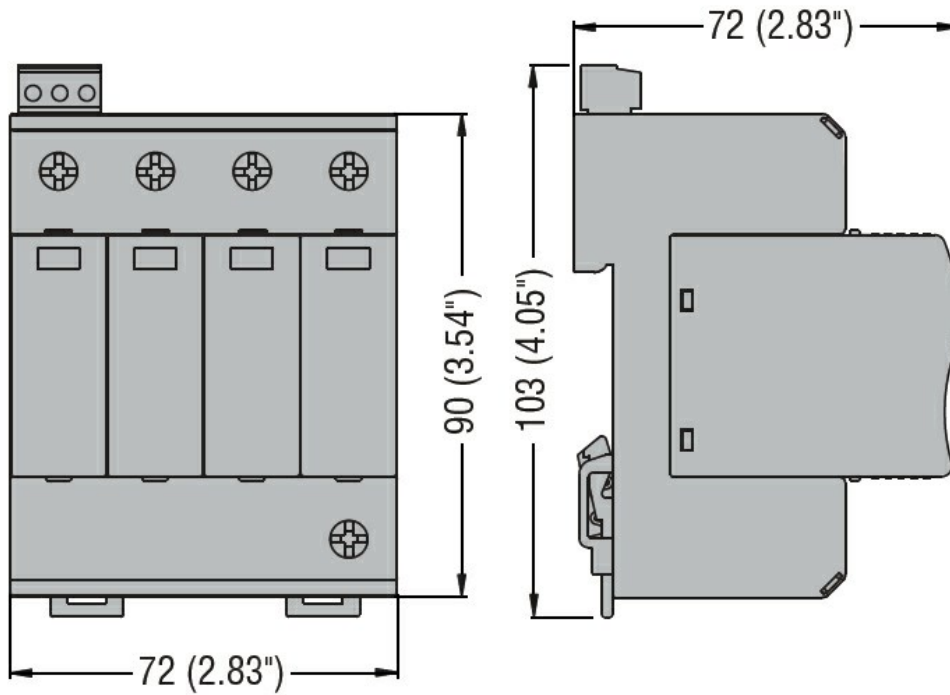
#### Mechanical features

Fixing		Din rail
Conductor section Flexible max (IEC)	mm <sup>2</sup>	25
Conductor section Rigid max (IEC)	mm <sup>2</sup>	35
Weight	g	670

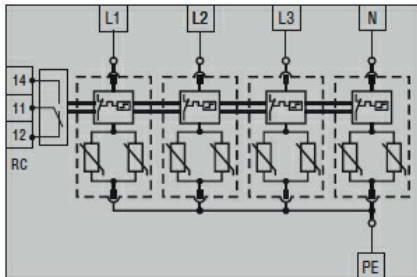
#### Relay output for remote status indication

Type of contact		CO
Rated current at		
	125V AC	A 3
	250V AC	A 0.5
	125V DC	A 0.2
	250V DC	A 0.1

#### Dimensions



### Wiring diagrams



### Certifications and compliance

#### Compliance

IEC/EN 61643-11

#### Certificates

EAC

### ETIM classification

ETIM 8.0

EC000941 -  
Surge protection  
device for power  
supply systems