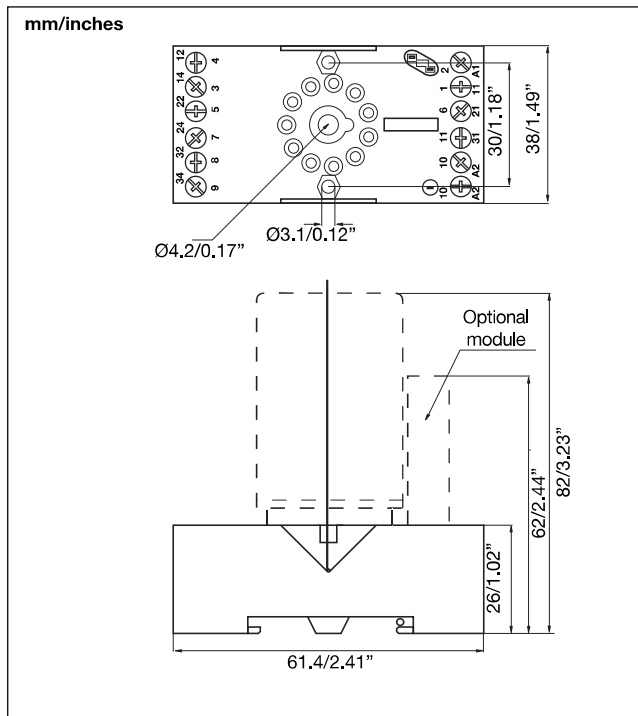
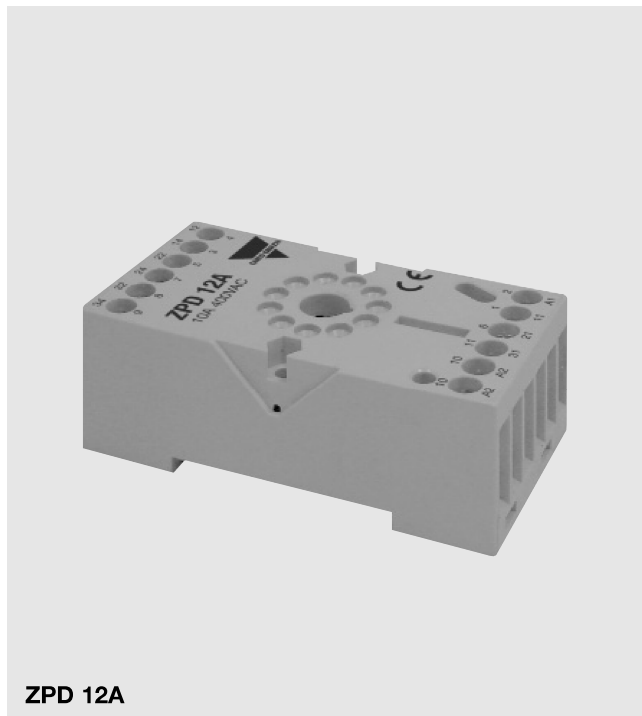


Sockets for RCP relays

ZPD 12A



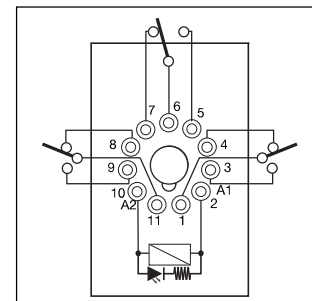
General data

Rated voltage	400VAC
Rated current	10A
Insulation voltage	> 3kV
Protection degree	IP 20
Operating temperature range	-25° to +70°C (-13° to +158°F)
Socket material	PA66+GF (V0)
Socket colour	RAL 7035 / Pantone 1C
Terminal type	Screw cage
Screw type	M3 with combi head (slotted, Philips Gr.1, Pozi)
Maximum screw torque	1N/m
Max Wire section	2 x 2.5mm ² (14AWG)
Flex / compact wire	2 x 1.5mm ² (16AWG)
Cable End	
Contacts material	Nikel plated - CuZn33

Terminal type



Wiring diagram



Approvals



Ordering part number	ZPD12A
Box content:	10 sockets
Box size: (W 152 x D 155 x H 50) mm	Weight: 780g
(W 5.98 x D 6.10 x H 1.97) inches	Weight: 27.51oz

Optional Accessories (to be ordered separately if required)

Hold-down spring steel	SZPD56M (see on page 81)
Modules	(see on page 79)