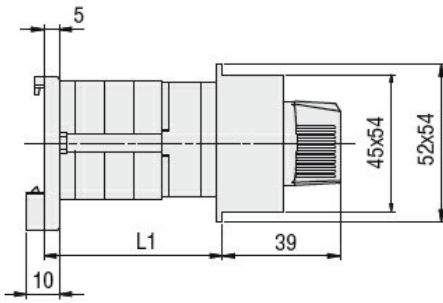


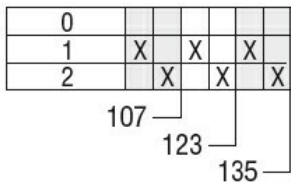
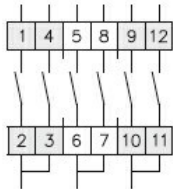
Product designation				Rotary cam switches
Product type designation				GF20
General characteristics				
Switching diagram				135 - Multi-step 0-1-2 3 poles
N° of elements				3
Mounting form				O48 - Modular service cover for 35mm din rail mounting with black handle
Contact characteristics				
Rated insulation voltage U_i	IEC/EN	V	480	
	UL/CSA	V	240	
Rated impulse withstand voltage U_{imp}		kV	4	
Conventional free air thermal current I_{th}	IEC/EN	A	20	
	UL/CSA	A	15	
Rated operational voltage		V	480	
Rated operational impulse voltage		kV	4	
Maximum fuse size for short-circuit protection I_n (gG)	10kA	A	20	
	15kA	A	20	
	25kA	A	20	
Rated short time current I_{cw}				
	1s	A	250	
Conductivity				10/5 mA/V
Operational current I_e IEC/EN AC1/AC21A			A	20
	AC15	110V	A	10
220/230V		A	8	
380/400V		A	6	
Rated operational power in AC	Three-phase AC-3	220/230V	kW	3
		380/440V	kW	5
	Single-phase AC-3	110V	kW	0.5
		220/230V	kW	1.5
		380/440V	kW	2
	Three-phase AC23A	220/230V	kW	4
380/440V		kW	7.5	
Single-phase AC23A	110V	kW	0.75	
	220/230V	kW	2	
	380/440V	kW	2.5	
Rated operational current in DC DC21A				

		48V	A	20
		60V	A	20
		110V	A	4
		220V	A	0.7
		440V	A	0.2
<hr/>				
DC13		24V	A	6
		48V	A	6
		60V	A	3
		110V	A	1
		220V	A	0.4
		440V	A	0.15
<hr/>				
Power dissipation			W	0.8
Mechanical features				
Terminals screw				M3
Tightening torque for terminals max			Nm	0.5
<hr/>				
Conductor size				
	AWG - Rigid cable			
		min	AWG	20
		Max	AWG	12
<hr/>				
	AWG - Flexible cable			
		min	AWG	20
		Max	AWG	12
<hr/>				
	Conductor size (IEC) - Flexible cable			
		min	mm ²	0.5
		Max	mm ²	2.5
<hr/>				
	Conductor size (IEC) - Rigid cable			
		min	mm ²	0.5
		Max	mm ²	2.5
<hr/>				
Mechanical life			cycles	1x10 ⁶
UL technical data				
Motor power for direct-on-line control				
	for three-phase motor			
		240V	HP	3
<hr/>				
	for single-phase motor			
		240V	HP	1
<hr/>				
Ambient conditions				
Temperature				
	Operating temperature			
		min	°C	-25
		max	°C	+55
<hr/>				
	Storage temperature			
		min	°C	-40
		max	°C	+70
<hr/>				
Resistance & Protection				
Frontal IP degree				IP40
Terminals IP degree				IP20
<hr/>				
Dimensions				



Series	L1		
	1	2	3
GF20	40	53.5	67

Wiring diagrams



Certifications and compliance

Compliance

- CSA C22.2 n° 14
- IEC/EN/BS 60947-1
- IEC/EN/BS 60947-3
- IEC/EN/BS 60947-5-1
- UL60947-4-1

Certificates

- cULus
- EAC

ETIM classification

ETIM 8.0

EC001029 -
Selector switch,
complete