

Part number

MFO 06 L40



Hood, C-TYPE series, with 2 pegs, M40 side cable entry without adapter, size "44.27", high construction

Product description

Product type	Hood
Series	C-TYPE
Closing type	With 2 pegs
Size	Size 44.27
Cable entry	Side cable entry M40
Specification	High construction

Technical data

IP degree of protection	IP65 / IP66 / IP69
--------------------------------	--------------------

Further technical details

Weight	144,00 g
Operating temperature range (min, max)	-40°C...+125°C

Material properties

Colour	RAL 7040 grey
RoHs conformity	Compliant
China RoHs - EFUP	E
REACH SVHC substances	No

Approvals / Standards

Certifications	DNV, BV
UL	ECBT2
cUL	ECBT8

General ordering information

EAN13 code	8015747233330
eCl@ss 8.1	27440202
ETIM 7.0	EC000437

Packaging Information

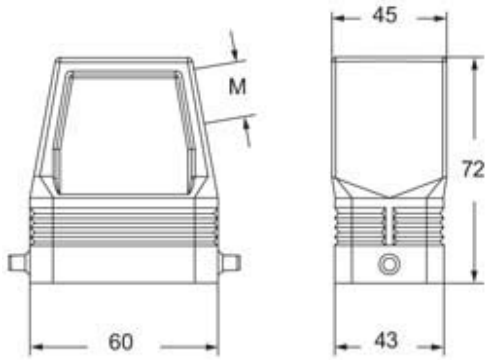
Packaging length	260,00 mm
Packaging height	120,00 mm
Packaging width	140,00 mm
Packaging weight	1,44 kg
Packaging volume	4,37 dm ³
Packaging description	Carton box
Packaging quantity	10 Pcs
Packaging EAN code	8015747233347
Sub-packaging weight	0,72 kg
Sub-packaging description	Plastic packaging
Sub-packaging quantity	5 Pcs
Sub-packaging EAN barcode	8015747233354

Part number

MFO 06 L40



Catalogue drawings



Notes

Dimensions shown in mm are not binding and may be changed without notice.
