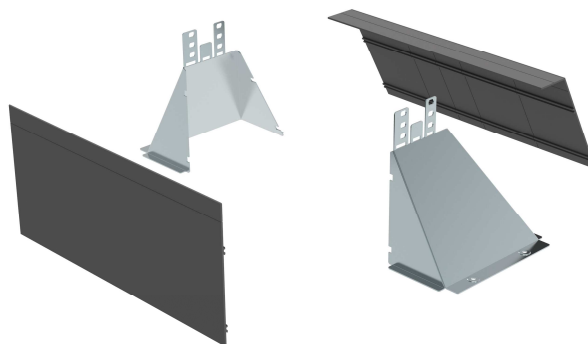


P31-HOOK FOR CABINET

Reference(s): 349849/349850



1. USE

Use hook for cabinet to join cabinet with cable tray in H50, H75 and H100.

2. RANGE

■ 2.1 Hook for cabinet PG

Description	Code	Cable tray width		Weight		Thickness		Coating
		(mm)	(inch)	(Kg)	(lb)	(mm)	(inch)	
P31-HOOK FOR CABINET PG	349849	100	3,94	2,00	4,41	1,4	0,06	PG
		150	5,91					
		200	7,87					
		300	11,81					

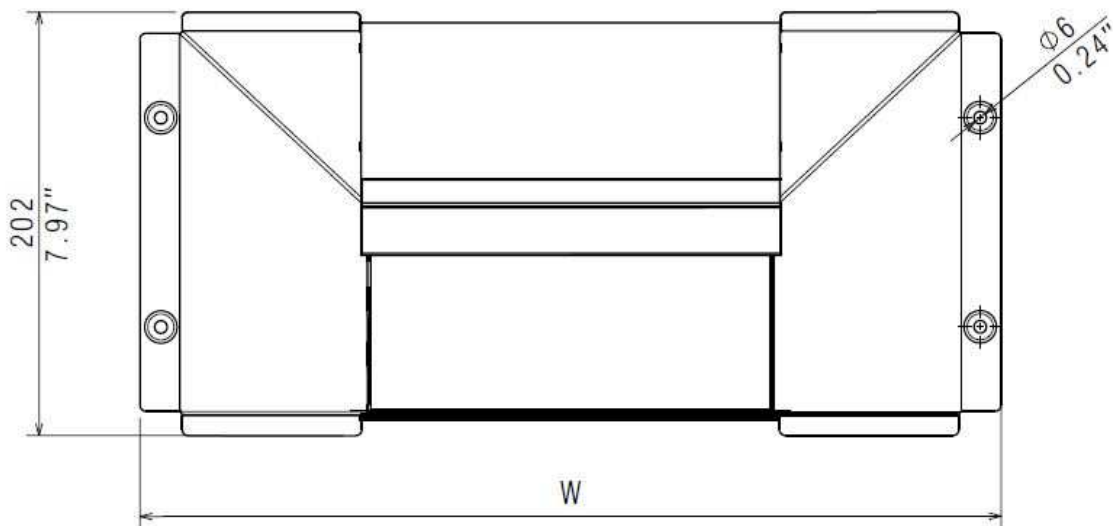
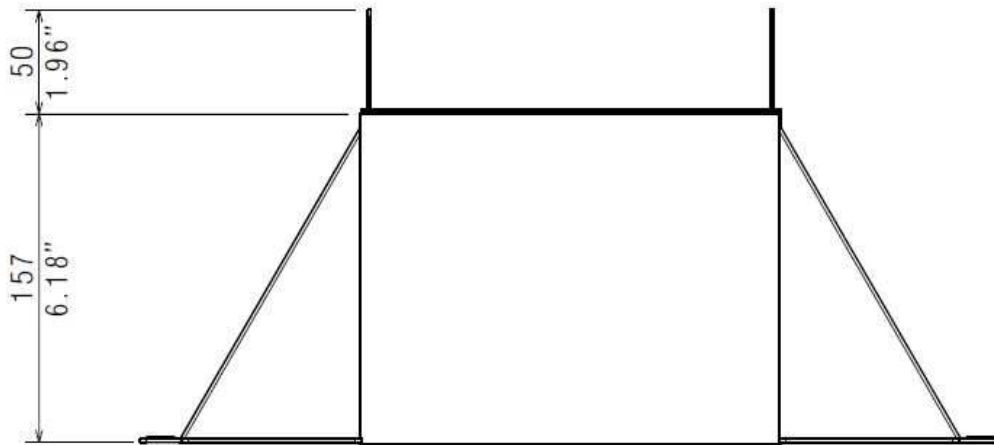
■ 2.2 Hook for cabinet SS316L

Description	Code	Cable tray width		Weight		Thickness		Coating
		(mm)	(inch)	(Kg)	(lb)	(mm)	(inch)	
P31-HOOK FOR CABINET 316L	349850	100	3,94	2,00	4,41	1,50	0,06	SS316L
		150	5,91					
		200	7,87					
		300	11,81					

3. DIMENSIONS

■ 3.1 Dimensions of hook for cabinet for all height (H50, H75, H100)

Description	Cable tray width		Width of hook (W)	
	(mm)	(inch)	(mm)	(inch)
P31-HOOK FOR CABINET	100	3,94	310	12,20
P31-HOOK FOR CABINET	150	5,91	360	14,17
P31-HOOK FOR CABINET	200	7,87	410	16,14
P31-HOOK FOR CABINET	300	11,81	510	20,08



4. INSTALLATION

4.1 Screw

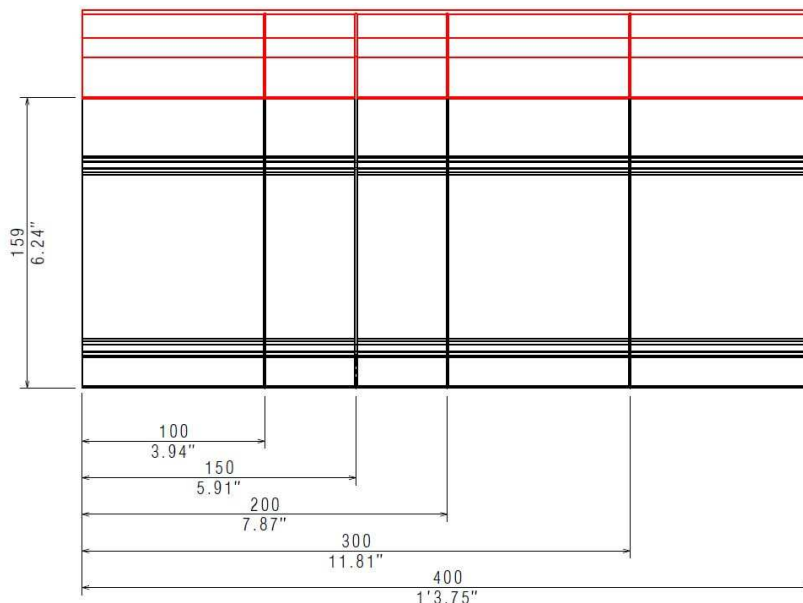
Use screws M6x12 tightened at 11Nm

Reference(s): 341895/ 03V1M610Z (PG)
485035 (Zn-Ni)
346895/ 03V1M610L (SS316L)

4.2 Setup of PVC part for rear side

Remove the red part highlighted in red cutting the slab horizontally

To adjust the width in function of cable trays is necessary to cut vertically the slab at the right measure showed below.

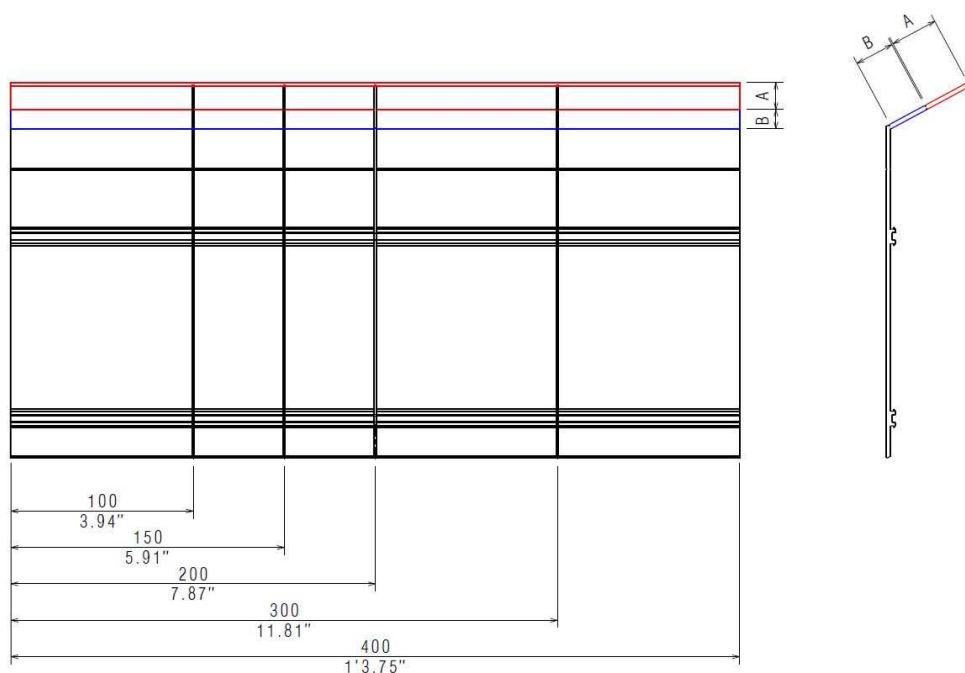


4.3 Setup of PVC part for front side

Adjust the front side of pvc panel cutting horizontally it in function of the height of cable trays:

- for H50 use standard slab
- for H75 cut the part highlighted in red called "A"
- for H100 cut the part highlighted in blue called "B"

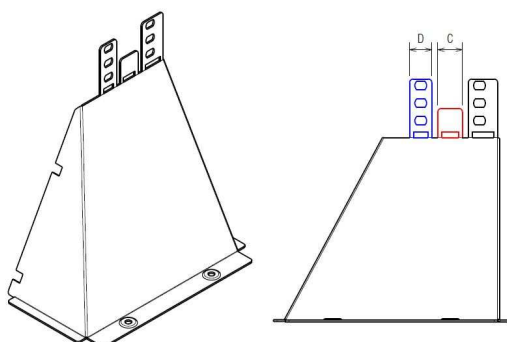
To adjust the width in function of cable trays is necessary to cut vertically the slab at the right measure showed below.



■ 4.4 Setup of metallic side flange

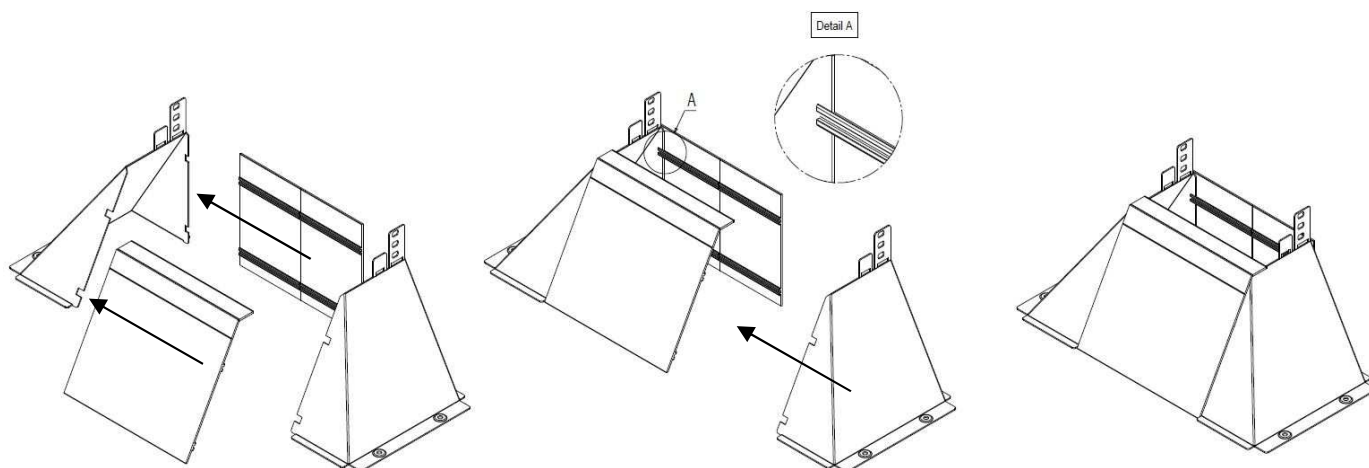
Adjust the metallic flange in function of the height of cable trays:

- for H50 is necessary to remove the blue (called "D") and red (called "A") highlighted part.
- for H75 is necessary to remove only the blue (called "D") highlighted part.
- for H100 use standard flange.



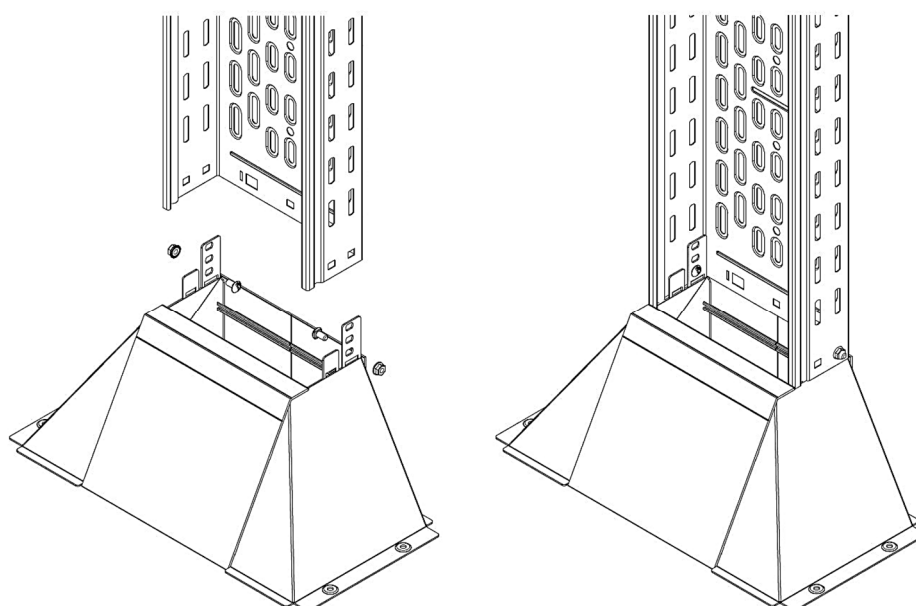
■ 4.5 Assembly of hook for cabinet

Slide the plastic part and join the plastic guide into metallic housing located on side flange (see detail A).
Close the hook for cabinet with second metallic flange.



■ 4.6 Fix cable tray to hook for cabinet

Fix cable tray using 2 screws M6x12 on sides of the cable tray.



5. TECHNICAL DATA

■ 5.1 Climatic characteristics

Storage and operating temperature: - 20° C à + 120° C

■ 5.2 Material characteristics

Material finish	Material	Standard	Resistance class against corrosion
PG	DX51D + Z200	EN 10346	Classe 3 - CEI 61537
BLUE	DX51D + Z200	EN 10346	Classe 3 - CEI 61537
HDG	DC 01	EN 10130	Classe 6 - CEI 61537
SS304	X5CrNi18-10	EN 10 088-2	Classe 9A - CEI 61537
SS316L	X2CrNiMo17-12-2	EN 10 088-2	Classe 9B - CEI 61537

6. CONFORMITY - CERTIFICATION

Comply with CEI 61537 Cable tray systems

Certification: CE, IMQ