



Fiche produit

Article n° 92.297.4063.8

assemblage de câbles GST18i3KSB- 15H 40TB06

GST18i3 câble de rallonge femelle - extrémité libre, longueur 4.0 m, 3 pôle, codification selon les exigences du client sans PE, 16 A, couleur de codage bleu turquoise, couleur du soulagement de traction noir, couleur du câble noir, échantillon représentatif 1.5 mm², type de câble H05Z1Z1-F, classe Feu: Eca



Article n°	92.297.4063.8
EAN	4049088282317
Unité de commande	20 Piece(s)

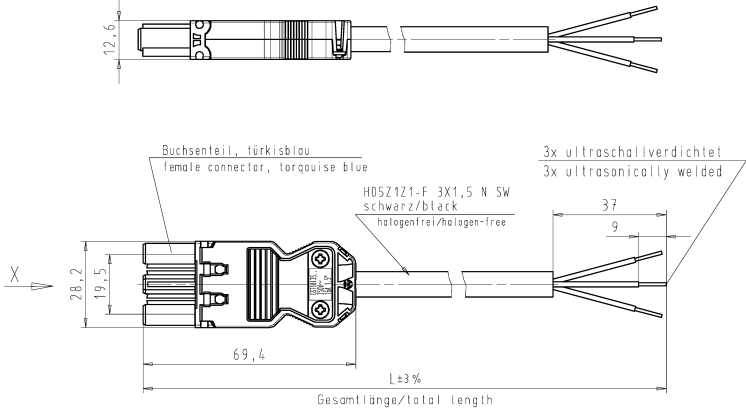
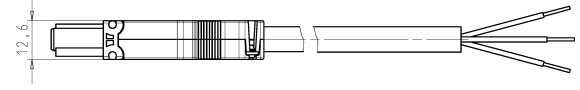

certificats/approbations

Données techniques

Remarque

Remarque	core colors with pole assignment: black (1), blue(2), brown (3)
----------	---

Dessin technique

1	2	3	4	5	6		A	
<p style="font-size: 8px;">These dimensions will be reported in terms of delivery</p> <p style="font-size: 8px;">SWT - PRESENTED DIMENSIONS</p> <p style="font-size: 8px;">DELIVERY DIMENSIONS WILL BE REPORTED IN TERMS OF DELIVERY</p>	<p style="font-size: 8px;">These dimensions will be reported in terms of delivery</p> <p style="font-size: 8px;">SWT - PRESENTED DIMENSIONS</p> <p style="font-size: 8px;">DELIVERY DIMENSIONS WILL BE REPORTED IN TERMS OF DELIVERY</p>	<p style="font-size: 8px;">These dimensions will be reported in terms of delivery</p> <p style="font-size: 8px;">SWT - PRESENTED DIMENSIONS</p> <p style="font-size: 8px;">DELIVERY DIMENSIONS WILL BE REPORTED IN TERMS OF DELIVERY</p>	<p style="font-size: 8px;">These dimensions will be reported in terms of delivery</p> <p style="font-size: 8px;">SWT - PRESENTED DIMENSIONS</p> <p style="font-size: 8px;">DELIVERY DIMENSIONS WILL BE REPORTED IN TERMS OF DELIVERY</p>	<p style="font-size: 8px;">These dimensions will be reported in terms of delivery</p> <p style="font-size: 8px;">SWT - PRESENTED DIMENSIONS</p> <p style="font-size: 8px;">DELIVERY DIMENSIONS WILL BE REPORTED IN TERMS OF DELIVERY</p>	<p style="font-size: 8px;">These dimensions will be reported in terms of delivery</p> <p style="font-size: 8px;">SWT - PRESENTED DIMENSIONS</p> <p style="font-size: 8px;">DELIVERY DIMENSIONS WILL BE REPORTED IN TERMS OF DELIVERY</p>	<p style="font-size: 8px;">These dimensions will be reported in terms of delivery</p> <p style="font-size: 8px;">SWT - PRESENTED DIMENSIONS</p> <p style="font-size: 8px;">DELIVERY DIMENSIONS WILL BE REPORTED IN TERMS OF DELIVERY</p>	<p style="font-size: 8px;">These dimensions will be reported in terms of delivery</p> <p style="font-size: 8px;">SWT - PRESENTED DIMENSIONS</p> <p style="font-size: 8px;">DELIVERY DIMENSIONS WILL BE REPORTED IN TERMS OF DELIVERY</p>	
<p style="font-size: 12px;">*X*</p> <p style="font-size: 12px;">M 2:1</p>						<p style="font-size: 8px;">www.wieland-electric.com</p> <p style="font-size: 8px;">www.eshop.wieland-electric.com</p>		<p>These dimensions will be reported in terms of delivery</p> <p>SWT - PRESENTED DIMENSIONS</p> <p>DELIVERY DIMENSIONS WILL BE REPORTED IN TERMS OF DELIVERY</p>
<p>3 = braun/brown</p> <p>2 = blau/blue</p> <p>1 = schwarz/black</p>		<p style="font-size: 8px;">Gesamtlänge/total length</p> <p style="font-size: 8px;">L ± 3%</p>		<p style="font-size: 8px;">L</p>		<p style="font-size: 8px;">Beispiel (Farbe: türkisblau)</p> <p style="font-size: 8px;">example (colour: torquoise blue)</p>		
<p style="font-size: 8px;">Teile-Nr. / part-no.</p>		<p style="font-size: 8px;">L</p>		<p style="font-size: 8px;">Typ / type</p>		<p style="font-size: 8px;">Typ / type</p>		
<p>92.297.XX63.8</p>		<p>XX in dm-Schritten</p>		<p>92.297.1063.8 = 10dm/L= 1000mm</p>		<p>GST1813KSB- 15H 10TB06</p>		
<p>U2.297.XX63.8</p>		<p>XX in m-Schritten</p>		<p>U2.297.1263.8 = 12 m/L=12000mm</p>		<p>GST1813KSB- 15H X12TB06</p>		
<p style="font-size: 8px;">Weitere Daten siehe KATALOG oder eCatalog.</p> <p style="font-size: 8px;">Additional data see CATALOG or eCatalog.</p>				<p style="font-size: 8px;">www.wieland-electric.com</p> <p style="font-size: 8px;">eshop.wieland-electric.com</p>				
<p>Tolerierung Size ISO 14095/Tolerance system Size ISO 14095. (This ISO-standard describes the envelope principle. According to the envelope principle the deviations of form and parallelism are limited by the size tolerance.)</p> <p>Frähtoleranz nach DIN 1875/General tolerance according to DIN 1875. (AD - Zeichnung, keine manuellen Änderungen/AD - drawing, no manual modifications allowed)</p> <p>Verwendung: - / First Use: -</p> <p>Stahl: - / Steel: -</p>								
		<p style="font-size: 8px;">Werkstoff/Material</p>		<p style="font-size: 8px;">Tag/Date</p>		<p style="font-size: 8px;">Name</p>		
<p style="font-size: 8px;">Modifikation</p>		<p style="font-size: 8px;">09.09.</p>		<p style="font-size: 8px;">Dütsch T.</p>		<p style="font-size: 8px;">Zeichnung Nr./Drawing No.</p>		
<p style="font-size: 8px;">Vol.</p>		<p style="font-size: 8px;">mm 011./Ser. /</p>		<p style="font-size: 8px;">Einsatz für/Placement for: -</p>		<p style="font-size: 8px;">92.297.0263.8 01K</p>		
<p style="font-size: 8px;">Index</p>		<p style="font-size: 8px;">www.wieland</p>		<p style="font-size: 8px;">Typ</p>		<p style="font-size: 8px;">Benennung/TITLE</p>		
<p style="font-size: 8px;">Änderung/Revision</p>		<p style="font-size: 8px;">www.wieland-electric.com</p>		<p style="font-size: 8px;">GST1813</p>		<p style="font-size: 8px;">KONFEKT LEITUNG</p>		
<p style="font-size: 8px;">922970263801K_2 CADW3027 Duetsch 2014-09-09 13:55:10 21.000</p>		<p style="font-size: 8px;">www.wieland-electric.com</p>		<p style="font-size: 8px;">KSB- 15H</p>		<p style="font-size: 8px;">Buchse-Stecker Schraubausführung/screw connection</p>		
<p style="font-size: 8px;">3</p>		<p style="font-size: 8px;">4</p>		<p style="font-size: 8px;">5</p>		<p style="font-size: 8px;">6</p>		
<p style="font-size: 8px;">1</p>		<p style="font-size: 8px;">2</p>		<p style="font-size: 8px;">3</p>		<p style="font-size: 8px;">4</p>		
<p style="font-size: 8px;">5</p>		<p style="font-size: 8px;">6</p>		<p style="font-size: 8px;">7</p>		<p style="font-size: 8px;">8</p>		
<p style="font-size: 8px;">9</p>		<p style="font-size: 8px;">10</p>		<p style="font-size: 8px;">11</p>		<p style="font-size: 8px;">12</p>		
<p style="font-size: 8px;">13</p>		<p style="font-size: 8px;">14</p>		<p style="font-size: 8px;">15</p>		<p style="font-size: 8px;">16</p>		
<p style="font-size: 8px;">17</p>		<p style="font-size: 8px;">18</p>		<p style="font-size: 8px;">19</p>		<p style="font-size: 8px;">20</p>		
<p style="font-size: 8px;">M1</p>		<p style="font-size: 8px;">M2</p>		<p style="font-size: 8px;">M3</p>		<p style="font-size: 8px;">L</p>		
<p style="font-size: 8px;">6</p>		<p style="font-size: 8px;">7</p>		<p style="font-size: 8px;">8</p>		<p style="font-size: 8px;">9</p>		
<p style="font-size: 8px;">10</p>		<p style="font-size: 8px;">11</p>		<p style="font-size: 8px;">12</p>		<p style="font-size: 8px;">13</p>		
<p style="font-size: 8px;">14</p>		<p style="font-size: 8px;">15</p>		<p style="font-size: 8px;">16</p>		<p style="font-size: 8px;">17</p>		
<p style="font-size: 8px;">18</p>		<p style="font-size: 8px;">19</p>		<p style="font-size: 8px;">20</p>		<p style="font-size: 8px;">11</p>		
<p style="font-size: 8px;">21</p>		<p style="font-size: 8px;">22</p>		<p style="font-size: 8px;">23</p>		<p style="font-size: 8px;">24</p>		