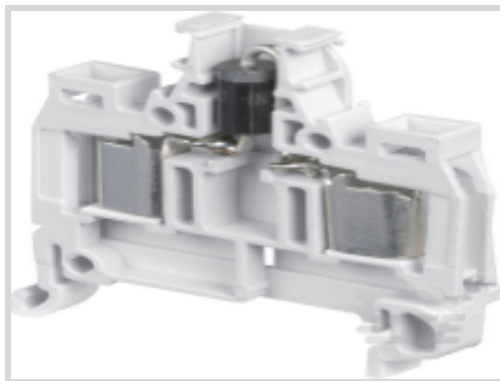


1SNA199248R1000 ✓ ACTIVE

TE Internal #: 1SNA199248R1000

TE Internal Description: D1.5/6.ADO.D1

[View on TE.com >](#)



## Product Compliance

[For compliance documentation, visit the product page on TE.com>](#)

EU RoHS Directive 2011/65/EU	Compliant
EU ELV Directive 2000/53/EC	Compliant
China RoHS 2 Directive MIIT Order No 32, 2016	No Restricted Materials Above Threshold
EU REACH Regulation (EC) No. 1907/2006	Current ECHA Candidate List: JUNE 2022 (224) Candidate List Declared Against: JAN 2021 (211) Does not contain REACH SVHC
Halogen Content	Not Yet Reviewed for halogen content
Solder Process Capability	Not reviewed for solder process capability

### Product Compliance Disclaimer

This information is provided based on reasonable inquiry of our suppliers and represents our current actual knowledge based on the information they provided. This information is subject to change. The part numbers that TE has identified as EU RoHS compliant have a maximum concentration of 0.1% by weight in homogenous materials for lead, hexavalent chromium, mercury, PBB, PBDE, DBP, BBP, DEHP, DIBP, and 0.01% for cadmium, or qualify for an exemption to these limits as defined in the Annexes of Directive 2011/65/EU (RoHS2). Finished electrical and electronic equipment products will be CE marked as required by Directive 2011/65/EU. Components may not be CE marked. Additionally, the part numbers that TE has identified as EU ELV compliant have a maximum concentration of 0.1% by weight in homogenous materials for lead, hexavalent chromium, and mercury, and 0.01% for cadmium, or qualify for an exemption to these limits as defined in the Annexes of Directive 2000/53/EC (ELV). Regarding the REACH Regulation, the information TE provides on SVHC in articles for this part number is based on the latest European Chemicals Agency (ECHA) 'Guidance on requirements for substances in articles' posted at this URL: <https://echa.europa.eu/guidance-documents/guidance-on-reach>

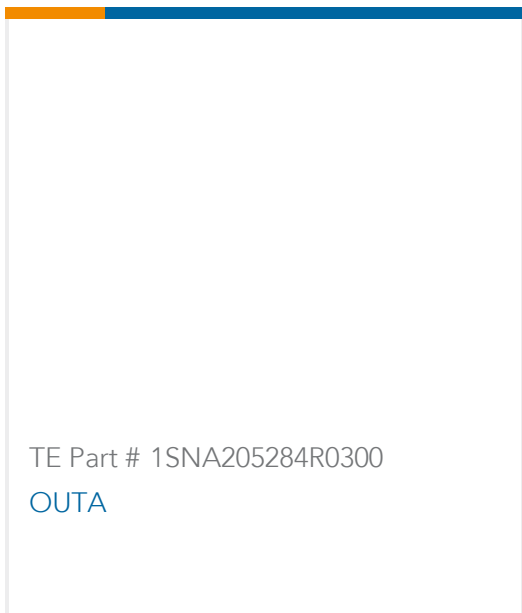
## Compatible Parts

TE Part # 1SNA233000R0100  
[RC610](#)

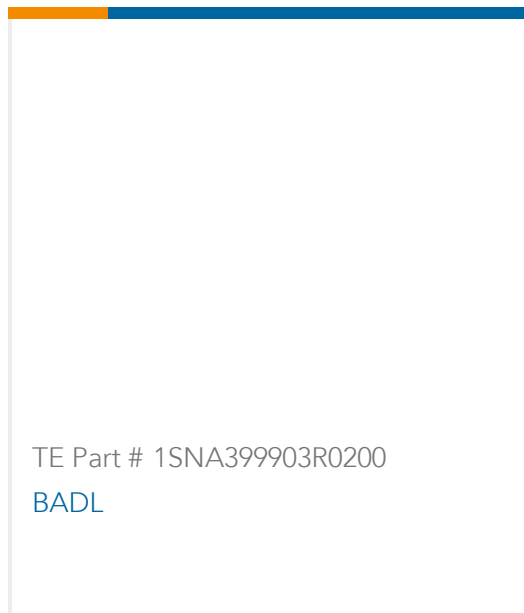
TE Part # 1SNA178745R1400  
[CBM5](#)

TE Part # 1SNA178944R0400  
[OUPAD](#)

TE Part # 1SNA179466R0600  
[OUMAD](#)



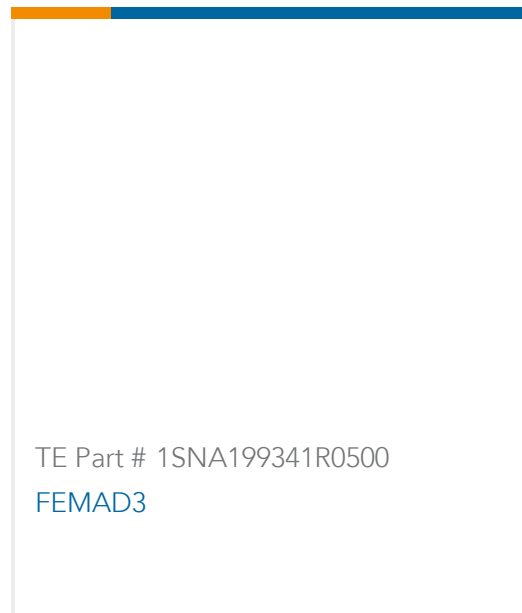
TE Part # 1SNA205284R0300  
OUTA



TE Part # 1SNA399903R0200  
BADL



TE Part # 1SNA178746R1500  
CBM8



TE Part # 1SNA199341R0500  
FEMAD3



TE Part # 1SNA205721R0000  
EXAD2



TE Part # 1SNA205974R0600  
BJADO6-2



TE Part # 1SNA205975R0700  
BJADO6-3



TE Part # 1SNA205976R0000  
BJADO6-4



TE Part # 1SNA205977R0100  
BJADO6-5



TE Part # 1SNA205982R2700  
BJADO6-10

### Customers Also Bought



TE Part #DT04-12PB-C015  
DEUTSCH DT Series Housings & Connectors



TE Part #1011-331-0205  
BKSHL, 2P, BLK, PLG, RA, NW 8.5/10



TE Part #5-160558-9  
FF 250 REC 0.5-1.5MM2 TPPB



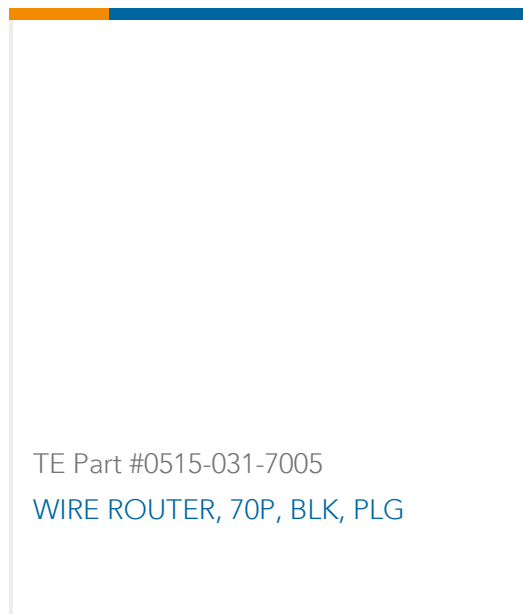
TE Part #63850-1  
187 FASTON REC 20-16 AWG NPST



TE Part #806704-000  
222A163-25-0



TE Part #2289831-1  
HDP26-24-35SE-L017, PLG, 35P, E, THD, S



TE Part #0515-031-7005  
WIRE ROUTER, 70P, BLK, PLG

### Documents



[Datasheets & Catalog Pages](#)

[D1.5/6.ADO.D1](#)

English

[ENTRELEC Terminal Block - Master Catalog](#)

English

[ENTRELEC Terminal Blocks Catalogue \(RUS\)](#)