

Part number  
**CGT 16**



PE terminal adapter, wire terminal adapter 16 mm<sup>2</sup> (AWG 6)



Product description	
<b>Product type</b>	PE terminal adapter
<b>Specification</b>	For MIXO inserts Nickel-plated
Technical data	
<b>Wire cross-section</b>	16,00 mm <sup>2</sup>
<b>AWG size</b>	6
Further technical details	
<b>Weight</b>	4,70 g

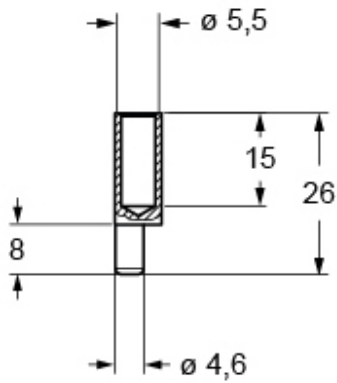
Material properties	
<b>RoHs conformity</b>	Compliant with exemption 6(c): copper alloy containing up to 4% lead by weight
<b>China RoHs - EFUP</b>	50
<b>REACH SVHC substances</b>	Yes Lead
<b>SCIP number</b>	5e01cfb1-f424-4348-b68e-90952292bfef
General ordering information	
<b>EAN13 code</b>	8015747122986
<b>eCl@ss 8.1</b>	27449290
<b>ETIM 7.0</b>	EC000796
Packaging Information	
<b>Sub-packaging length</b>	50,00 mm
<b>Sub-packaging height</b>	44,00 mm
<b>Sub-packaging width</b>	50,00 mm
<b>Sub-packaging weight</b>	0,09 kg
<b>Sub-packaging volume</b>	0,11 dm <sup>3</sup>
<b>Sub-packaging description</b>	Plastic box
<b>Sub-packaging quantity</b>	20 Pcs
<b>Sub-packaging EAN barcode</b>	8015747128919

Part number

# CGT 16



## Catalogue drawings



## Notes

Dimensions shown in mm are not binding and may be changed without notice.

### California Proposition 65 Information



### WARNING

This product can expose you to lead and its compounds, known to the State of California to cause cancer and/or reproductive toxicity. For more information go to [www.P65Warnings.ca.gov](http://www.P65Warnings.ca.gov).