

**Fiche produit**

Article n° 96.031.6153.1

**Connexion de périphériques RST20I3S B1 M03 SW**

RST 20i3/2 connexion de l'appareil M16, 3 pôles, femelle, connexion à vis, modulaire, application 250V, 20A, codage couleur noir, couleur du boîtier noir



Article n°	96.031.6153.1
EAN	4015573904873
Unité de commande	100 Piece(s)

**certificats/approbations**

**Données techniques**
**Remarque**

Remarque	Bande de fréquences
----------	---------------------

**général**

Courant nominal	20 A
Tension nominale	250 V
Degré de pollution	3
Tension nominale d'impulsion	4 kV
emboîtable	auto-bloquant (déverrouillable par outil)
Couleur de codage / contact support	noir
Marquage des pôles	L, N, PE
Couleur de l'adaptateur séparé (s'il est présent)	noir

**données de connexion**

section du connecteur solide	6 mm <sup>2</sup>
section solide 2	0,75 mm <sup>2</sup>
pour les pièces à souder	6 mm <sup>2</sup>
Section multifilaire 2	0,75 mm <sup>2</sup>
termination par pôle	1
Longueur de la bande de fil	8 mm

**Model**

Model	bus
Type de connexion	Connexion à vis
raccordement par filetage métrique	M16
angle de connexion	droit
Degré de protection (IP)	IP66/68 (3m;2h) /IP69
Epaisseur des boîtiers (appareil électrique) 2	0,5 mm
Epaisseur des boîtiers (appareil électrique)	8 mm

**matériel**

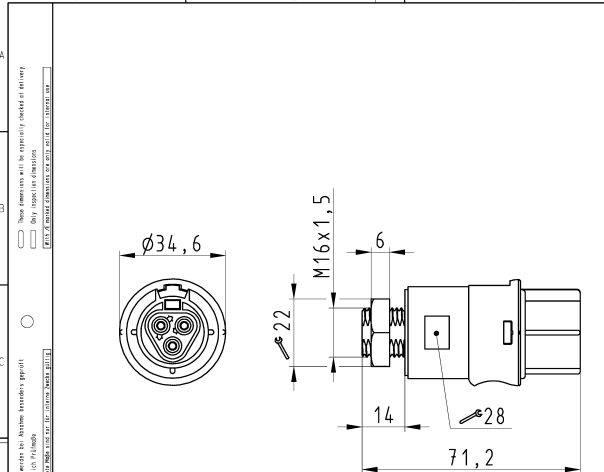
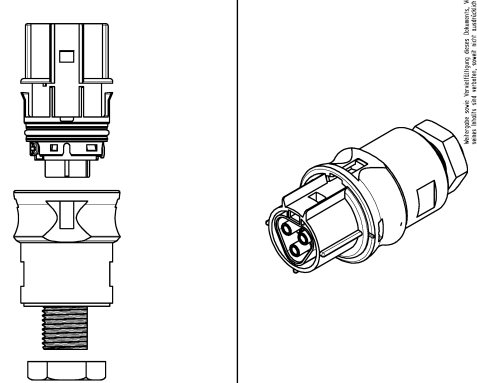






matière du boîtier	Polyamide
--------------------	-----------

Sans halogène	Oui
matériau de contact	CuZn
résistance au feu	0,199 kWh
Isolation des composants à température continue	100 °C
Finition de surface	Plaqué argent

**Dimensions**

Longueur	71,2 mm
largeur	34,6 mm
hauteur	34,6 mm

**Dessin technique**

 <p>Ø34,6 M16x1,5 6 22 14 28 71,2</p>	<p style="text-align: center;"><b>Auslieferungszustand</b> delivery status</p>  <p style="text-align: center;">Verpackungseinheit: je 100 Stück packaging unit: per 100</p> <table border="1" style="width: 100%; border-collapse: collapse;"> <tr> <td>96.031.6153.1</td> <td>RST2013S B1 M03 SW</td> <td>Schwarz /black</td> </tr> <tr> <td>96.031.6153.0</td> <td>RST2013S B1 M03 GL</td> <td>lichtgrau /lightgrey</td> </tr> <tr> <td>Bestellnummer /Order number</td> <td>Type /type</td> <td>Farbe /color</td> </tr> </table> <p style="font-size: small;">Weitere Daten siehe KATALOG oder eCatalog. <a href="http://www.wieland-electric.com">www.wieland-electric.com</a> Additional data see CATALOG or eCatalog. <a href="http://eshop.wieland-electric.com">eshop.wieland-electric.com</a></p>	96.031.6153.1	RST2013S B1 M03 SW	Schwarz /black	96.031.6153.0	RST2013S B1 M03 GL	lichtgrau /lightgrey	Bestellnummer /Order number	Type /type	Farbe /color																																	
96.031.6153.1	RST2013S B1 M03 SW	Schwarz /black																																									
96.031.6153.0	RST2013S B1 M03 GL	lichtgrau /lightgrey																																									
Bestellnummer /Order number	Type /type	Farbe /color																																									
<p>Offnungsmassbild siehe 96.031.2153.1 14K opening dimension see 96.031.2153.1 14K</p>	<table border="1" style="width: 100%; border-collapse: collapse;"> <tr> <td colspan="2">Tolerierung Size ISO 14252/Tolerance system Size ISO 14252</td> <td colspan="2">Tolerierung Size ISO 14252/Tolerance system Size ISO 14252</td> </tr> <tr> <td colspan="2">(This ISO-standard describes the envelope principle. According to the envelope principle the deviations of form and position/features are limited by the size tolerances).</td> <td colspan="2">(This ISO-standard describes the envelope principle. According to the envelope principle the deviations of form and position/features are limited by the size tolerances).</td> </tr> <tr> <td colspan="2">Fertigtoleranz nach General tolerance</td> <td colspan="2">Fertigtoleranz nach General tolerance</td> </tr> <tr> <td colspan="2">CAD-Zeichnung, keine manuellen Änderungen (CAD - drawing, no manual modifications allowed)</td> <td colspan="2">Fertigtoleranz nach General tolerance</td> </tr> <tr> <td colspan="2">Blatt: 1 von 1</td> <td colspan="2">Blatt: 1 von 1</td> </tr> <tr> <td colspan="2"> <table border="1" style="width: 100%; border-collapse: collapse;"> <tr> <th>Werkstoff/Material</th> <th>2015</th> <th>Tag/Date</th> <th>Name</th> </tr> <tr> <td></td> <td>21.07.</td> <td></td> <td>Hoffmann</td> </tr> <tr> <td colspan="4"> <table border="1" style="width: 100%; border-collapse: collapse;"> <tr> <td>Zeichnung Nr./Drawing No.</td> <td>96.031.6153.0 13K</td> </tr> <tr> <td colspan="2" style="text-align: center;">Maße in mm/Dimensions are in mm</td> </tr> </table> </td> </tr> </table> </td> <td colspan="2"> <table border="1" style="width: 100%; border-collapse: collapse;"> <tr> <td colspan="2" style="text-align: center;">   <b>BUCHSENTEILE</b> female connector                 </td> </tr> </table> </td> </tr> </table>	Tolerierung Size ISO 14252/Tolerance system Size ISO 14252		Tolerierung Size ISO 14252/Tolerance system Size ISO 14252		(This ISO-standard describes the envelope principle. According to the envelope principle the deviations of form and position/features are limited by the size tolerances).		(This ISO-standard describes the envelope principle. According to the envelope principle the deviations of form and position/features are limited by the size tolerances).		Fertigtoleranz nach General tolerance		Fertigtoleranz nach General tolerance		CAD-Zeichnung, keine manuellen Änderungen (CAD - drawing, no manual modifications allowed)		Fertigtoleranz nach General tolerance		Blatt: 1 von 1		Blatt: 1 von 1		<table border="1" style="width: 100%; border-collapse: collapse;"> <tr> <th>Werkstoff/Material</th> <th>2015</th> <th>Tag/Date</th> <th>Name</th> </tr> <tr> <td></td> <td>21.07.</td> <td></td> <td>Hoffmann</td> </tr> <tr> <td colspan="4"> <table border="1" style="width: 100%; border-collapse: collapse;"> <tr> <td>Zeichnung Nr./Drawing No.</td> <td>96.031.6153.0 13K</td> </tr> <tr> <td colspan="2" style="text-align: center;">Maße in mm/Dimensions are in mm</td> </tr> </table> </td> </tr> </table>		Werkstoff/Material	2015	Tag/Date	Name		21.07.		Hoffmann	<table border="1" style="width: 100%; border-collapse: collapse;"> <tr> <td>Zeichnung Nr./Drawing No.</td> <td>96.031.6153.0 13K</td> </tr> <tr> <td colspan="2" style="text-align: center;">Maße in mm/Dimensions are in mm</td> </tr> </table>				Zeichnung Nr./Drawing No.	96.031.6153.0 13K	Maße in mm/Dimensions are in mm		<table border="1" style="width: 100%; border-collapse: collapse;"> <tr> <td colspan="2" style="text-align: center;">   <b>BUCHSENTEILE</b> female connector                 </td> </tr> </table>		 <b>BUCHSENTEILE</b> female connector	
Tolerierung Size ISO 14252/Tolerance system Size ISO 14252		Tolerierung Size ISO 14252/Tolerance system Size ISO 14252																																									
(This ISO-standard describes the envelope principle. According to the envelope principle the deviations of form and position/features are limited by the size tolerances).		(This ISO-standard describes the envelope principle. According to the envelope principle the deviations of form and position/features are limited by the size tolerances).																																									
Fertigtoleranz nach General tolerance		Fertigtoleranz nach General tolerance																																									
CAD-Zeichnung, keine manuellen Änderungen (CAD - drawing, no manual modifications allowed)		Fertigtoleranz nach General tolerance																																									
Blatt: 1 von 1		Blatt: 1 von 1																																									
<table border="1" style="width: 100%; border-collapse: collapse;"> <tr> <th>Werkstoff/Material</th> <th>2015</th> <th>Tag/Date</th> <th>Name</th> </tr> <tr> <td></td> <td>21.07.</td> <td></td> <td>Hoffmann</td> </tr> <tr> <td colspan="4"> <table border="1" style="width: 100%; border-collapse: collapse;"> <tr> <td>Zeichnung Nr./Drawing No.</td> <td>96.031.6153.0 13K</td> </tr> <tr> <td colspan="2" style="text-align: center;">Maße in mm/Dimensions are in mm</td> </tr> </table> </td> </tr> </table>		Werkstoff/Material	2015	Tag/Date	Name		21.07.		Hoffmann	<table border="1" style="width: 100%; border-collapse: collapse;"> <tr> <td>Zeichnung Nr./Drawing No.</td> <td>96.031.6153.0 13K</td> </tr> <tr> <td colspan="2" style="text-align: center;">Maße in mm/Dimensions are in mm</td> </tr> </table>				Zeichnung Nr./Drawing No.	96.031.6153.0 13K	Maße in mm/Dimensions are in mm		<table border="1" style="width: 100%; border-collapse: collapse;"> <tr> <td colspan="2" style="text-align: center;">   <b>BUCHSENTEILE</b> female connector                 </td> </tr> </table>		 <b>BUCHSENTEILE</b> female connector																							
Werkstoff/Material	2015	Tag/Date	Name																																								
	21.07.		Hoffmann																																								
<table border="1" style="width: 100%; border-collapse: collapse;"> <tr> <td>Zeichnung Nr./Drawing No.</td> <td>96.031.6153.0 13K</td> </tr> <tr> <td colspan="2" style="text-align: center;">Maße in mm/Dimensions are in mm</td> </tr> </table>				Zeichnung Nr./Drawing No.	96.031.6153.0 13K	Maße in mm/Dimensions are in mm																																					
Zeichnung Nr./Drawing No.	96.031.6153.0 13K																																										
Maße in mm/Dimensions are in mm																																											
 <b>BUCHSENTEILE</b> female connector																																											