



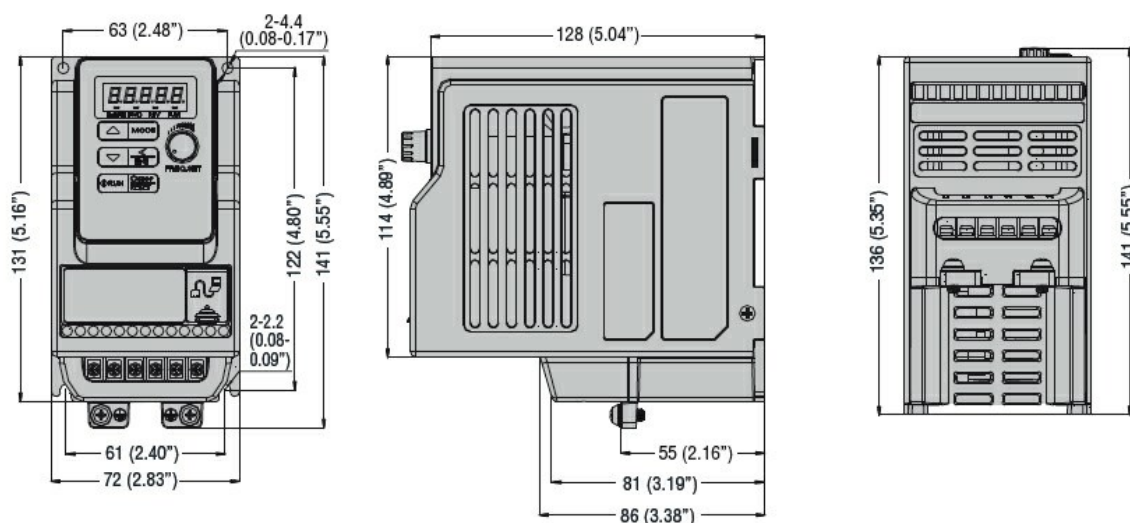
Product designation	Variable speed drives	
Product type designation	VT104A240	
<b>General characteristics</b>		
Rated power supply voltage	200...240VAC 50/60Hz	
Rated output voltage	VAC	Three-phase 0...240VAC 0- 599Hz
Rated output current	A	2.6
Rated output power	kW	0.4
Rated output power	HP	0.5
EMC filter	Built-in EMC suppressor cat. C2	
Communication port	RS485, Modbus- RTU and BACnet	
<b>Technical features</b>		
Input type	Single-phase	
Rated mains voltage	VAC	200...240
Operating mains voltage range	VAC	170...264
Rated mains frequency	Hz	50/60
Rated mains current without mains choke	7.2	
Output type	Three-phase	
Output voltage range	VAC	0...240
Output frequency range	Hz	0...599
Current overload	%/s	150% for 60s
Apparent output power	1	
Brake chopper	No	
Cooling System	Natural	
Switching frequency	1...16kHz	
<b>Functions</b>		
Motor control modes	V/f linear, V/f quadratic, V/f multi-point , sensorless vector control	

		Frontal potentiometer External potentiometer 1...10kΩ Voltage signals: 0...10VDC Current signals: 0/4...20mA Buttons on front keyboard Door-mount keyboard 7 preset speeds via digital inputs RS485 port
Speed reference signals		
3-wire control		Yes
S-shape curves		Yes
Slip compensation		Yes
Flying restart		No
Access to DC bus		No
DC braking		Yes
DC injection at start		Yes
PID control		Yes
Sequencer (programmable frequency/time cycles)		Yes
Preset speeds		Yes
Motorpotentiometer		Yes
Different parameter configuration sets		Main/alternative run command select Main/alternative frequency command select
Parameters changeover function		No
Favorite parameters menu		No
Autotuning		Yes
Safe torque Off (STO) safety function		No
PTC probe input		Yes
Protections		Motor overload Drive overload Overvoltage Undervoltage Phase loss Overtemperature Overspeed
Special funct.		Multi-pump PID for the control of up to 4 VT1... drives in master-slave configuration
<b>Input and Output</b>		
Number of digital input	Nr.	5
Digital input type		PNP logic
Number of digital output	Nr.	1
Digital output arrangement		1 relay output with NO contact

Output contacts ratings		1A 250VAC, 1A 30VDC
Number of analog input	Nr.	2
Analog input type		1 voltage analog input 0...10VDC 1 current analog input 0/4...20mA
Number of analog output	Nr.	1
Analog output type		0...10VDC
<b>Ambient conditions</b>		
Temperature		
Operating temperature		
	min	°C -10
	max	°C +50
	from 40 to 50°C with derating of the output current of 6%/°C	
Current derating		
Storage temperature		
	min	°C -20
	max	°C +60
Relative humidity		
		% <95
Max altitude		
	m	3000m (over 1000m derate the rated current by 2%/100m)
Maximum Pollution degree		
		2

<b>Housing</b>		
Installation position		
		Vertical
IP degree of protection		
		IP20
Dimensions (W x H x D)		
	mm	72 x 141 x 141
Weight		
	Kg	1

**Dimensions**



**Certifications and compliance**

Compliance	
	CSA 22.2 No. 274
	EN 61800-5-1
	UL508C

**Certificates**

cULus

EAC

RCM

ETIM classification

ETIM 8.0

EC001857 -  
Frequency  
converter =< 1 kV