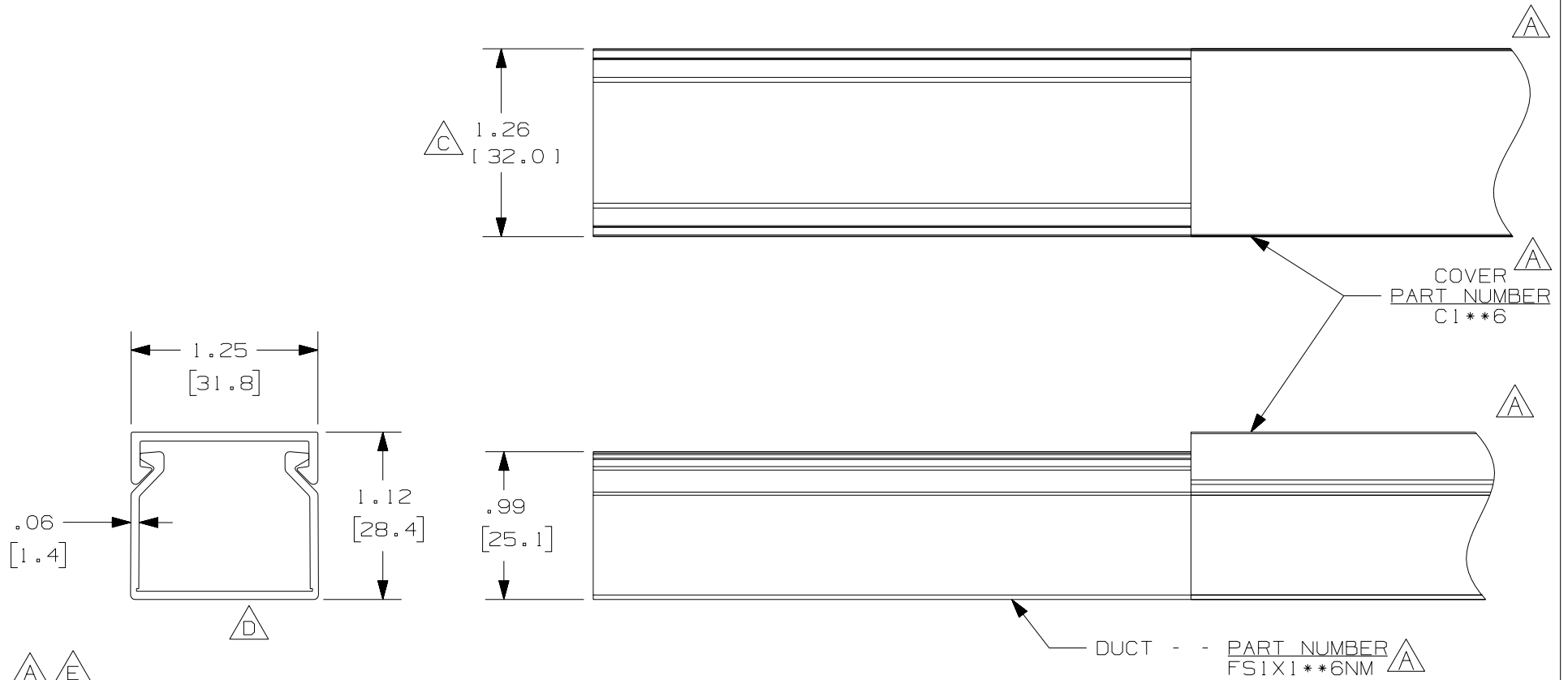


THIS COPY IS PROVIDED ON A RESTRICTED BASIS AND IS NOT TO BE USED IN ANY WAY DETRIMENTAL TO THE INTERESTS OF PANDUIT CORP.



A **E**

NOTE.

1. ALL DIMENSIONS ARE REFERENCE ONLY.
2. DIMENSIONS IN PARENTHESES ARE METRIC.
3. THE ** DENOTE COLOR.
4. DUCT AND COVER ARE AVAILABLE IN 6 FT [1828.8] LENGTHS.

CAD FILENAME/LAYERS D11000ET_DC_03C

PANDUIT CORP. TINLEY PARK, ILLINOIS
 WIRING DUCT - TYPE FS DUCT WITH COVER
 1 X 1
 MARKETING DRAWING

REV	DATE	BY	CHK	DESCRIPTION
2	8-6-07	JCST	MKBE	D. DELETED DIMENSION C. ADDED DIMENSION
1	10-14-05	JCST	MKBE	B. CHANGED TITLE BLOCK A. ADDED TOP & SIDE VIEWS, LABELS, AND NOTES.
R	9-26-05	JCST	JGG	DRAWING RELEASED

DRAWN BY JCST	MAT'L; PVC	SCALE FULL
DATE 9-26-05		DRAWING NO. 36897-893
CHK'D JGG		DWG SIZE A