



Lector64x/65x / InspectorP64x/65x polarizing filter

SICK
Sensor Intelligence.



Ordering information

Type	Part no.
Lector64x/65x / InspectorP64x/65x polarizing filter	2088230

Other models and accessories → www.sick.com/

Detailed technical data

Technical specifications

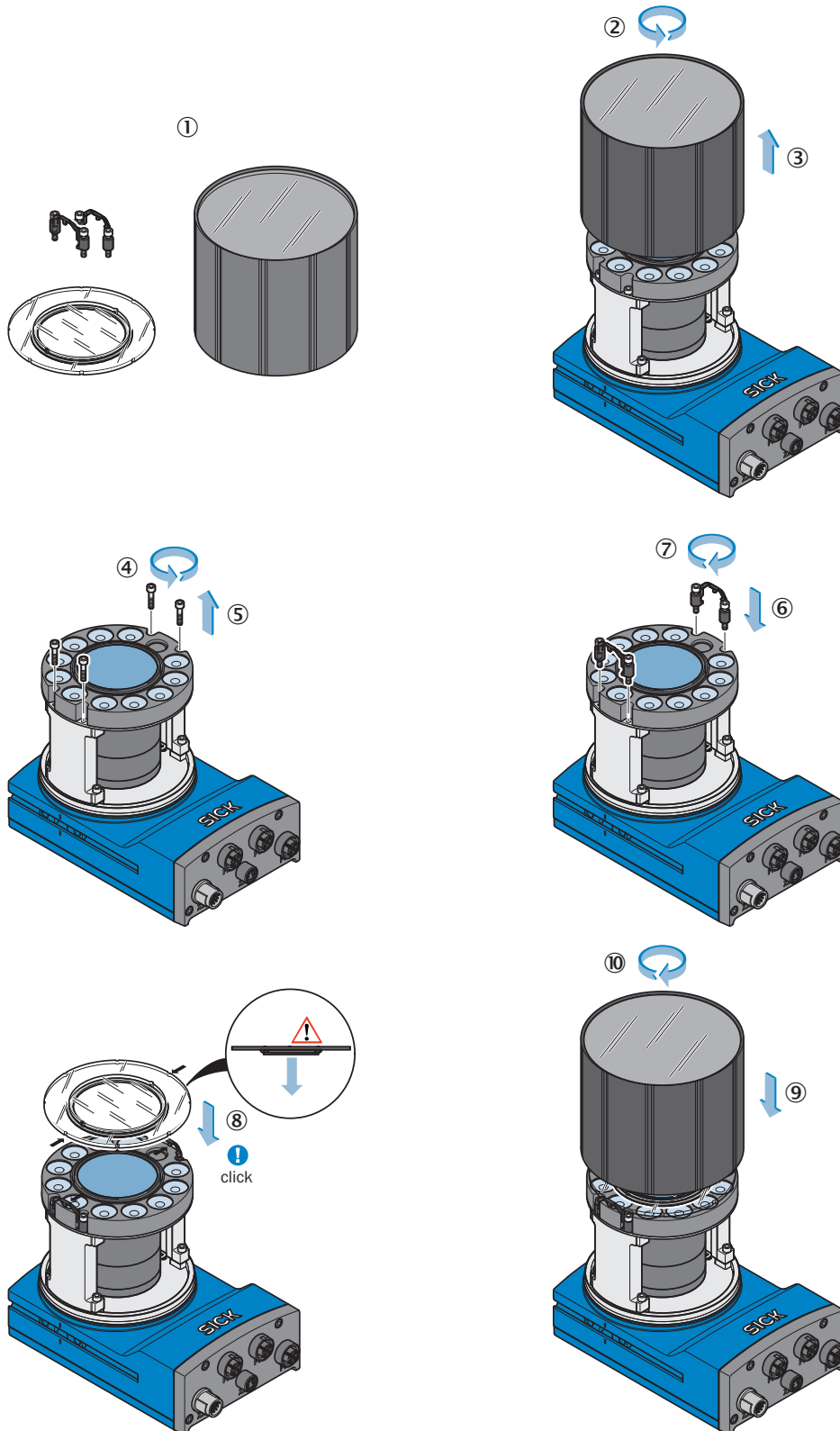
Accessory group	Optical filters
Description	Polarizing filter for reducing disruptive light reflections

Classifications

ECLASS 5.0	27279206
ECLASS 5.1.4	27279206
ECLASS 6.0	27279206
ECLASS 6.2	27279206
ECLASS 7.0	27279206
ECLASS 8.0	27279206
ECLASS 8.1	27279206
ECLASS 9.0	27273604
ECLASS 10.0	27273604
ECLASS 11.0	27273604
ECLASS 12.0	27273604
ETIM 5.0	EC002558
ETIM 6.0	EC002558
ETIM 7.0	EC002558
ETIM 8.0	EC002558
UNSPSC 16.0901	45121628

Instruction for installation

Polarizing filter kit for Lector65x



① Scope of delivery of polarizing filter kit 2088230: Optics protection hood of larger height, polarizing filter disk, retaining bracket with fixing screws

② Rotate the optics protection hood counterclockwise

- ③ Remove the optics protection hood
- ④ Loosen fixing screws (4x)
- ⑤ Remove fixing screws
- ⑥ Put on retaining bracket with fixing screws
- ⑦ Tighten mounting bracket
- ⑧ Clip on polarizing filter disk, making sure the alignment is correct: Centering ring downwards, side notches over the centering cones of the retaining clips
- ⑨ Put on the optics protection hood with larger height
- ⑩ Rotate the optics protection hood clockwise to tighten

SICK AT A GLANCE

SICK is one of the leading manufacturers of intelligent sensors and sensor solutions for industrial applications. A unique range of products and services creates the perfect basis for controlling processes securely and efficiently, protecting individuals from accidents and preventing damage to the environment.

We have extensive experience in a wide range of industries and understand their processes and requirements. With intelligent sensors, we can deliver exactly what our customers need. In application centers in Europe, Asia and North America, system solutions are tested and optimized in accordance with customer specifications. All this makes us a reliable supplier and development partner.

Comprehensive services complete our offering: SICK LifeTime Services provide support throughout the machine life cycle and ensure safety and productivity.

For us, that is “Sensor Intelligence.”

WORLDWIDE PRESENCE:

Contacts and other locations –www.sick.com