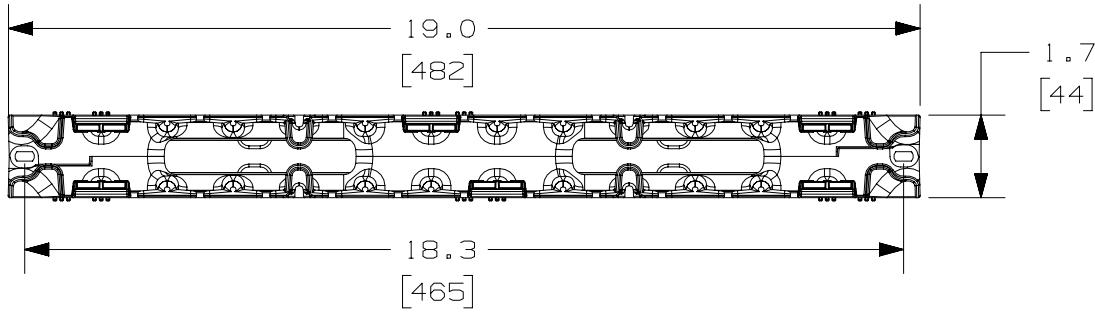
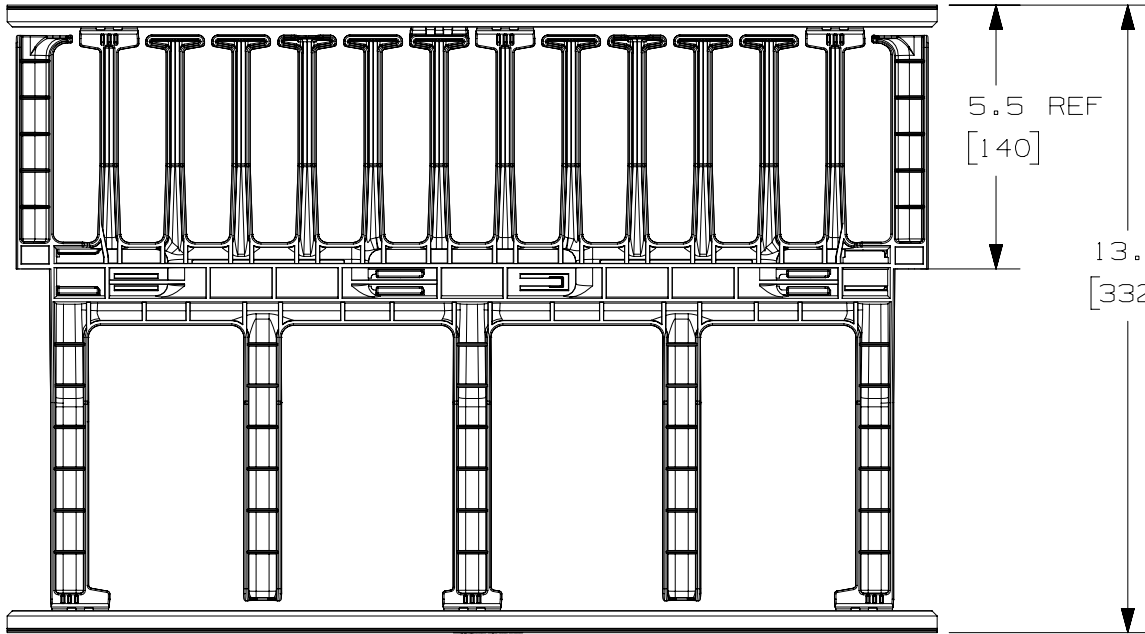


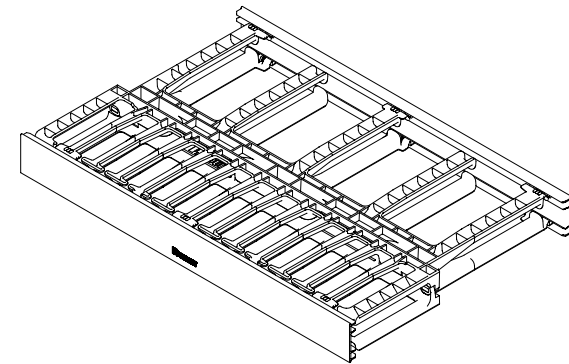
THIS COPY IS PROVIDED ON A RESTRICTED BASIS AND IS NOT TO BE USED IN ANY WAY DETRIMENTAL TO THE INTERESTS OF PANDUIT CORP.



PANDUIT P/N	WEIGHT
NM1	1.8 LBS/EACH 816 g/EACH
NM1WH	1.8 LBS/EACH 816 g/EACH



- NOTES:
- VISIT OUR ON-LINE CATALOG AT [WWW.PANDUIT.COM](http://WWW.PANDUIT.COM) FOR A CURRENT LIST OF PRODUCTS APPLICABLE FOR USE WITH THIS PART.
  - COMPONENTS:  
1- NM1 MANAGER (FRONT AND REAR)  
2- 1RU 19" COVERS
  - DIMENSIONS IN PARENTHESES ARE METRIC.



REV	DATE	BY	CHK	APR	DESCRIPTION	ECN
03A	7-28-16	BAME	RYB	KRKE	ADDED P/N NM1WH	M09000AK
01B	4-1-13	RYB			REDRAWN, REMOVED REVISIONS	10404-19

TITLE		NM1 CABLE MANAGER CUSTOMER DRAWING		
ITEM REVISION NAME		V10404AG/03		
DATASET FILE NAME		V10404AG_DC/03A		
UNLESS OTHERWISE SPECIFIED, DIMENSIONAL TOLERANCES ARE: IN (mm)		MATERIAL: MANAGER: ABS 1RU COVERS: PVC		
.x ± .1 [ 2.54 ]      .xxx ± .005 [ .127 ] .xx ± .01 [ .25 ]      ANGLES ± 5 °		DRAWING NUMBER: 10404-19		
DRAWN BY: BAME    DATE: 3-6-07    CHK: TCK    SCALE: NONE		THIRD ANGLE PROJECTION SHT 1 OF 1    SIZE: A		

D10100DA/15