



Product designation Reversing contactor  
Product type designation BGTP09

**Electrical features**

Maximum operating current ( $\leq 440V$ ) A 9

**Contact characteristics**

Operational current Ie AC-3 ( $\leq 440V \leq 55^\circ C$ ) A 9

Rated operational power AC-3 ( $T \leq 55^\circ C$ )	Voltage	Power (kW)	Current (A)
	230V	kW 2.2	
	400V	kW 4	
	415V	kW 4.3	
	440V	kW 4.5	
	500V	kW 5	

Built-in auxiliary contacts

NO	0
NC	1

**UL technical data**

Maximum UL/CSA horsepower ratings single-phase

110V-120V	HP 0.5
220V-240V	HP 1.5

Maximum UL/CSA horsepower ratings three-phase, 3-pole

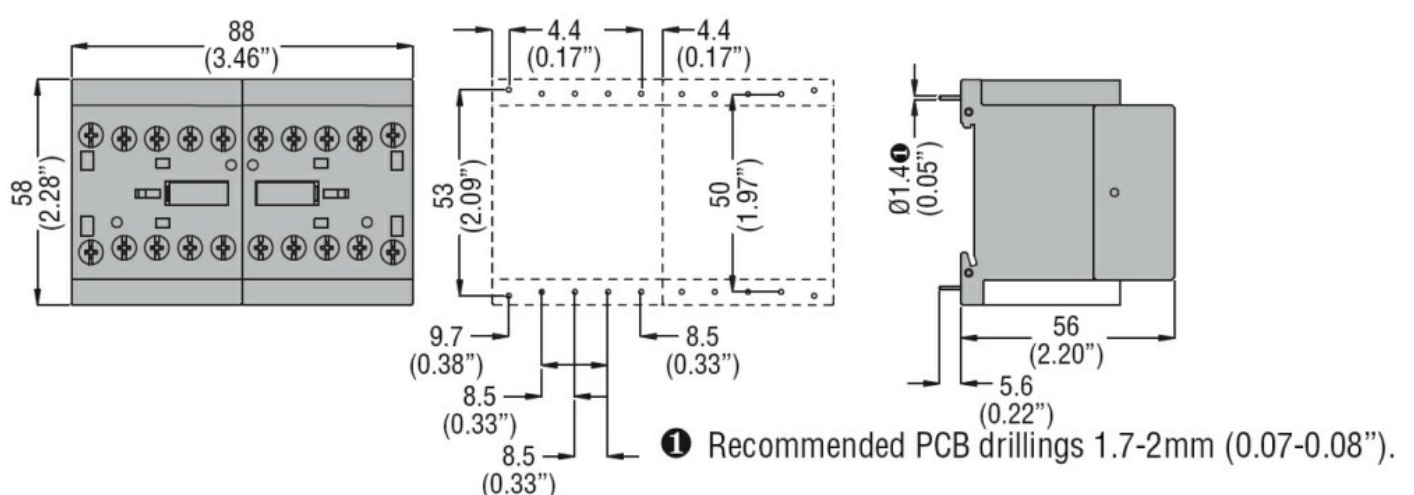
200V-208V	HP 2
220V-240V	HP 3
440V-480V	HP 5

**Mechanical features**

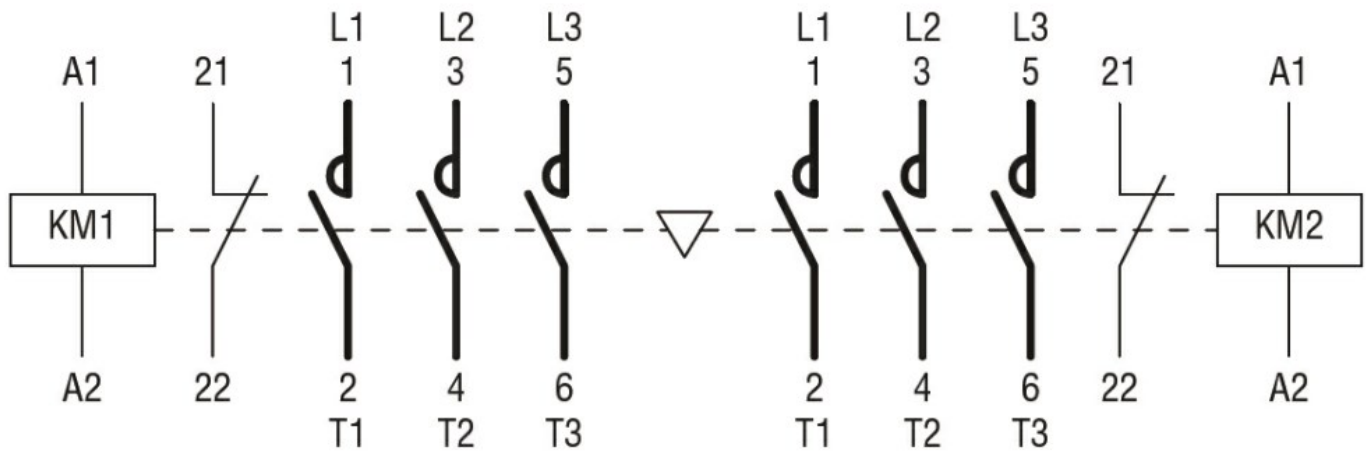
Terminals type Clamp screw

Weight g 460

**Dimensions**



**Wiring diagrams**



### Certifications and compliance

#### Compliance

IEC/EN 60947-1

IEC/EN 60947-4-1

UL508 CSA C22.2 n° 14

#### Certificates

cULus

### ETIM classification

ETIM 8.0

EC001037 -  
Motor  
starter/Motor  
starter  
combination