



Double-touch  
actuators, spring  
return white  
indicator - Two  
flush pushbuttons  
LPCBL71

Product designation

Product type designation

General characteristics

Colour	Green/Red
Type of positions	Double-touch with two flush pushbuttons
Material	Polyamide
IEC degree of protection	IP66, IP67 and IP69K

Mechanical features

Operating force	kg-lb	<0.5Kg / 1.1lb
Mechanical life	cycles	1000000
Mounting adapter		LPXAU120
Weight	g	30

UL technical data

UL degree of protection	Type1, 2, 3R, 4, 4X, 12, 12K
-------------------------	---------------------------------

Ambient conditions

Temperature

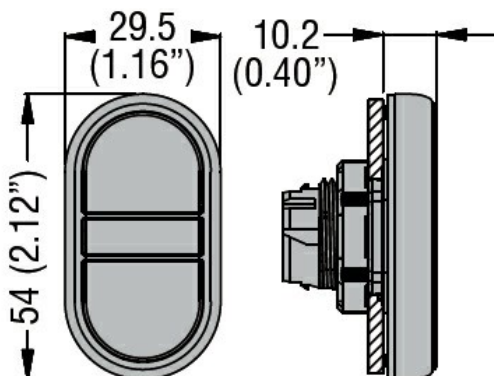
Operating temperature

min	°C	-25
max	°C	+70

Storage temperature

min	°C	-40
max	°C	+85

Dimensions



Certifications and compliance

Compliance

CSA C22.2 n° 14

---

IEC/EN/BS 60947-1

---

IEC/EN/BS 60947-5-1

---

UL508

---

Certificates

---

CCC

---

cULus

---

EAC

---

RINA

---

ETIM classification

ETIM 8.0

EC000221 -  
Front element for  
push button