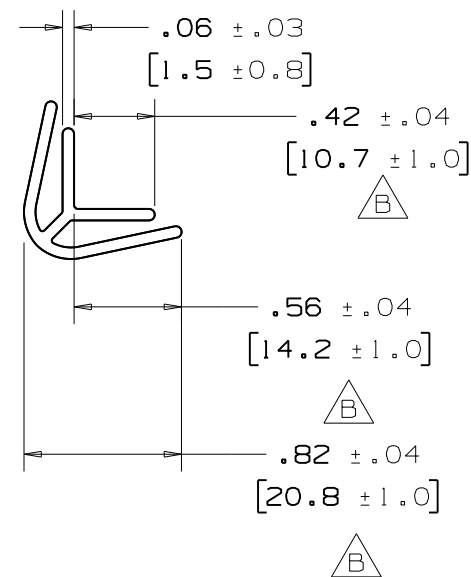
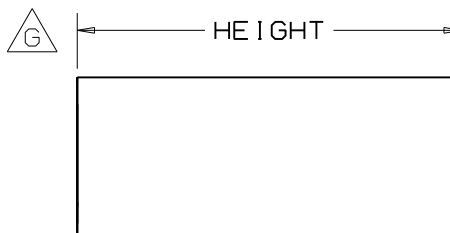


THIS COPY IS PROVIDED ON A RESTRICTED BASIS AND IS NOT TO BE USED IN ANY WAY DETRIMENTAL TO THE INTERESTS OF PANDUIT CORP.

NOTE:



1. SEE CURRENT CATALOG FOR PART NUMBER SUFFIX DESIGNATION FOR COLOR AND PACKAGE SIZE.
2. DIMENSIONS ARE IN INCHES (MILLIMETERS).



PART NAME	PANDUIT PART NUMBER	HEIGHT IN (mm)	WEIGHT lb/(g) PER pcs
CORNER STRIP	CS1**6	72.00 (1828.7)	0.728/(330.2)



CAD FILENAME/LAYERS D34047BA_DC_CSP/04A

PANDUIT CORP. TINLEY PARK, ILLINOIS

CORNER STRIP (CS1**6 & CSP*LG-Q) CUSTOMER DRAWING

UNLESS OTHERWISE SPECIFIED, DIMENSIONAL TOLERANCES ARE:
 (.X) ± (.XXX) ±
 (.XX) ±.060(1.5) ANGLES ±

UNLESS OTHERWISE SPECIFIED, ALL DIMENSIONS ARE GIVEN IN INCHES, THIRD ANGLE PROJECTION.

REV	DATE	BY	CHK	DESCRIPTION	ECN	R	CUST	SUP
5	4-7-10	LEF	MKBE	H. REMOVED CORNER STRIP PIECES.	34047-01	HIW	HIW	
4	11-9-09	JCST	MRJS	G. CHANGED "LENGTH" TO "HEIGHT" F. CHANGED TITLE BLOCK - REMOVED "6FT&PC'S"	34047-01	HIW	HIW	
3	4-12-06	JCST	JKG	E. REV'D LENGTHS AND WEIGHTS.	34047-01	JKG	JKG	
2	9-7-01	JCST	JKG	D. CHANGED NOTES C. ADDED CS1**6 - CHANGED TITLE BLOCK	34047-01	JKG	JKG	
1	8-18-94	DW	KRK1	B. ADDED TOLERANCES. A. REV'D LENGTHS AND WEIGHTS.	34047-01	CEF	CEF	
R	10-3-86	LDB	WJB	RELEASED TO PRODUCTION	34047-01	R		

DRAWN BY L BENTZ
 DATE 10-3-86
 CHK'D WJB

MAT'L: POLYVINYL CHLORIDE

SCALE FULL
 DRAWING NO. 34047-01
 DWG SIZE A