

Fiche produit

Article n° 02.125.3329.8

contact femelle D 3,6-10,0 QMM AG



Article n°	02.125.3329.8
EAN	4015573450608
Unité de commande	100 Piece(s)

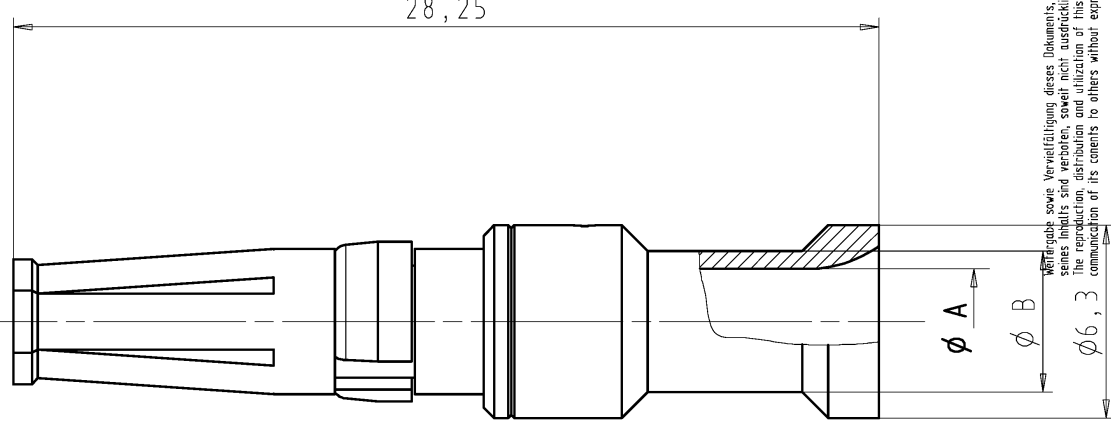
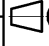
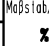
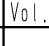

certificats/approbations

Données techniques

général

Model	raccordement bus
longueur de fil	10 mm
section du conducteur souple Min.	10 mm ²
section du conducteur souple Max.	10 mm ²
diamètre Min. du câble souple UL/CSA	8 AWG
diamètre Max. du câble souple UL/CSA	8 AWG
Type de connexion	Crimp
matériel	Autre
Contact Massif	Oui
Diamètre du contact	3,6 mm
Surface	Plaqué argent
classe d'inflammabilité des matériaux d'isolation selon la norme UL94	Autre
Résistance de contact	≤ 1 mOhm

Dessin technique

	2	3	A																																																
Ausführung / version: 02.125.3229.8			1																																																
A B C D E	28,25 		2 3 4 5 6 7 8 9 10 11 12 13 14 15 16 17 18																																																
Weitere Daten siehe Katalog <i>further data see catalog</i>			19 20																																																
<table border="1" style="width: 100%; border-collapse: collapse;"> <tr> <td style="width: 15%; text-align: center;">a</td> <td style="width: 25%;">02.125.3329.8</td> <td style="width: 20%;">Ni 3 Ag 3</td> <td style="width: 15%;">10 mm²</td> <td style="width: 10%;">4,4</td> <td style="width: 15%;">5,9</td> </tr> <tr> <td></td> <td>02.125.3229.8</td> <td>Ni 3 Ag 3</td> <td></td> <td></td> <td></td> </tr> <tr> <td></td> <td>02.125.3229.6</td> <td>Cu 3 Sn 1</td> <td>6 mm²</td> <td>3,45</td> <td>4,6</td> </tr> <tr> <td></td> <td>02.125.3129.8</td> <td>Ni 3 Ag 3</td> <td>4 mm²</td> <td>2,85</td> <td>3,9</td> </tr> <tr> <td></td> <td>02.125.3029.8</td> <td>Ni 3 Ag 3</td> <td>2,5 mm²</td> <td>2,25</td> <td>3,45</td> </tr> <tr> <td></td> <td>02.125.2929.8</td> <td>Ni 3 Ag 3</td> <td>1,5 mm²</td> <td>1,75</td> <td>3,0</td> </tr> <tr> <td></td> <td>Teile - Nr.</td> <td>Oberfläche</td> <td>Querschnitt</td> <td>∅ A</td> <td>∅ B</td> </tr> <tr> <td></td> <td><i>part - no.</i></td> <td><i>surface</i></td> <td><i>cross section</i></td> <td></td> <td></td> </tr> </table>			a	02.125.3329.8	Ni 3 Ag 3	10 mm ²	4,4	5,9		02.125.3229.8	Ni 3 Ag 3					02.125.3229.6	Cu 3 Sn 1	6 mm ²	3,45	4,6		02.125.3129.8	Ni 3 Ag 3	4 mm ²	2,85	3,9		02.125.3029.8	Ni 3 Ag 3	2,5 mm ²	2,25	3,45		02.125.2929.8	Ni 3 Ag 3	1,5 mm ²	1,75	3,0		Teile - Nr.	Oberfläche	Querschnitt	∅ A	∅ B		<i>part - no.</i>	<i>surface</i>	<i>cross section</i>			M1 M2 M3
a	02.125.3329.8	Ni 3 Ag 3	10 mm ²	4,4	5,9																																														
	02.125.3229.8	Ni 3 Ag 3																																																	
	02.125.3229.6	Cu 3 Sn 1	6 mm ²	3,45	4,6																																														
	02.125.3129.8	Ni 3 Ag 3	4 mm ²	2,85	3,9																																														
	02.125.3029.8	Ni 3 Ag 3	2,5 mm ²	2,25	3,45																																														
	02.125.2929.8	Ni 3 Ag 3	1,5 mm ²	1,75	3,0																																														
	Teile - Nr.	Oberfläche	Querschnitt	∅ A	∅ B																																														
	<i>part - no.</i>	<i>surface</i>	<i>cross section</i>																																																
Tolerierung Size ISO 14405(E)/Tolerance system Size ISO 14405(E). (This ISO-standard describes the envelope principle. According to the envelope principle the deviations of form and parallelism are limited by the size tolerances).			L G																																																
ja/yes <input checked="" type="checkbox"/> Stoffverbots- und Deklarationsliste nach WN 5020.010 ist einzuhalten. Conformity with Wieland document WN 5020.010 e (list of prohibited / declarable hazardous substances) to be declared!			i																																																
Freitoleranz nach DIN ISO 2768 - m		CAD - Zeichnung, keine manuellen Änderungen CAD - drawing, no manual modifications allowed	1.Verwendung: - First Use:	Blatt: 1 von 1 Sheet: 1 of 1																																															
Werkstoff/Material	2006 Tag/Date Name	Zeichnung Nr./Drawing No.	Index																																																
/ 	gezeichnet drawn 27.10. Treschan	T 02.125.2929.8 01K	a																																																
/ 	geprüft checked - -	Maße in mm/Dimensions are in mm																																																	
/ 	Normgepr. Stand. check - -	Ersatz für/Replacement for: -																																																	
/ Vol. mm ³	OfL./Surf. mm ²	Type Benennung/Title																																																	
a 30.01.2015/ Datum / Blatt Date / Sheet	 wieland www.wieland-electric.com		BUCHSENKONTAKT_KOMPLETT female contact - complete crimp contact for ∅3,6 ; 1,5-10,0 mm ²																																																
Änderung/Revision	021252929801K_2 CADW3028 Treschan 2015-02-02T12:45:22 1.000																																																		
3 QU-MEE-01/14 -			11.1 12.1 1.1																																																

