


44429344	DATA SHEET	
Valid from: 12.04.2023	EPIC® LS3 D6	

Description

- Circular connectors for servomotors and power supply
- More power for servo motors
- Robust against mechanical impacts
- EMC protection



General Characteristics

Series	LS 3
Version	for female contacts
Pin configuration	3+PE+2 / 3+PE+4
Rated voltage (V)	630 V (10 mm Contacts) 250 V (1,6 mm Contacts)
Rated impulse voltage	6 kV (10 mm Contacts) 4 kV (1,6 mm Contacts)
Rated current (A)	150 A (10 mm contacts) at 25 °C 12 A (1,6 mm contacts) at 25 °C
Contacts	Silver plated brass Gold plated brass
Number of contacts	3+PE+2 / 3+PE+4
Termination methods	Crimp termination: 10 - 50 mm ² (10 mm contacts) Crimp termination: 0.75 - 1,5 mm ² (1,6 mm contacts)
Protection	IP 67
Cycle of mechanical operation	50
Temperature range	-40°C to +125°C
Degree of soiling	3


Product Variations

Article- Number	Article	Clamping range	Pin configuration
Type LS 3 D6 for female contacts			
44429344	LS3 D6	17 - 25	3+PE+2
44429345	LS3 D6	25 - 36	3+PE+2
44429346	LS3 D6	17 - 25	3+PE+4
44429347	LS3 D6	25 - 36	3+PE+4

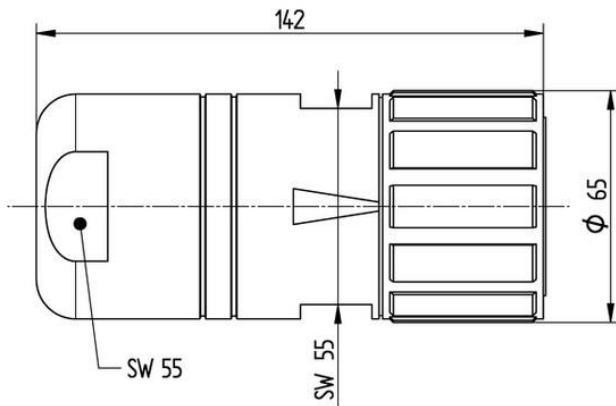
Materials and Surfaces

Housing	Anodised aluminium
Insert	PA
Seal	FPM

Creator: LEBU1/PDP Released: IVSE1/PDP	Document: DB44429344EN Version: 02	Page 1 of 2
---	---------------------------------------	-------------

44429344	DATA SHEET	
Valid from: 12.04.2023	EPIC® LS3 D6	

Technical Drawing



Robust



Reliability



Waterproof

Application range

Plant engineering
Servo drives and servo assemblies

Remark

Photographs are not to scale and do not represent detailed images of the respective products.

Creator: LEBU1/PDP Released: IVSE1/PDP	Document: DB44429344EN Version: 02	Page 2 of 2
---	---------------------------------------	-------------