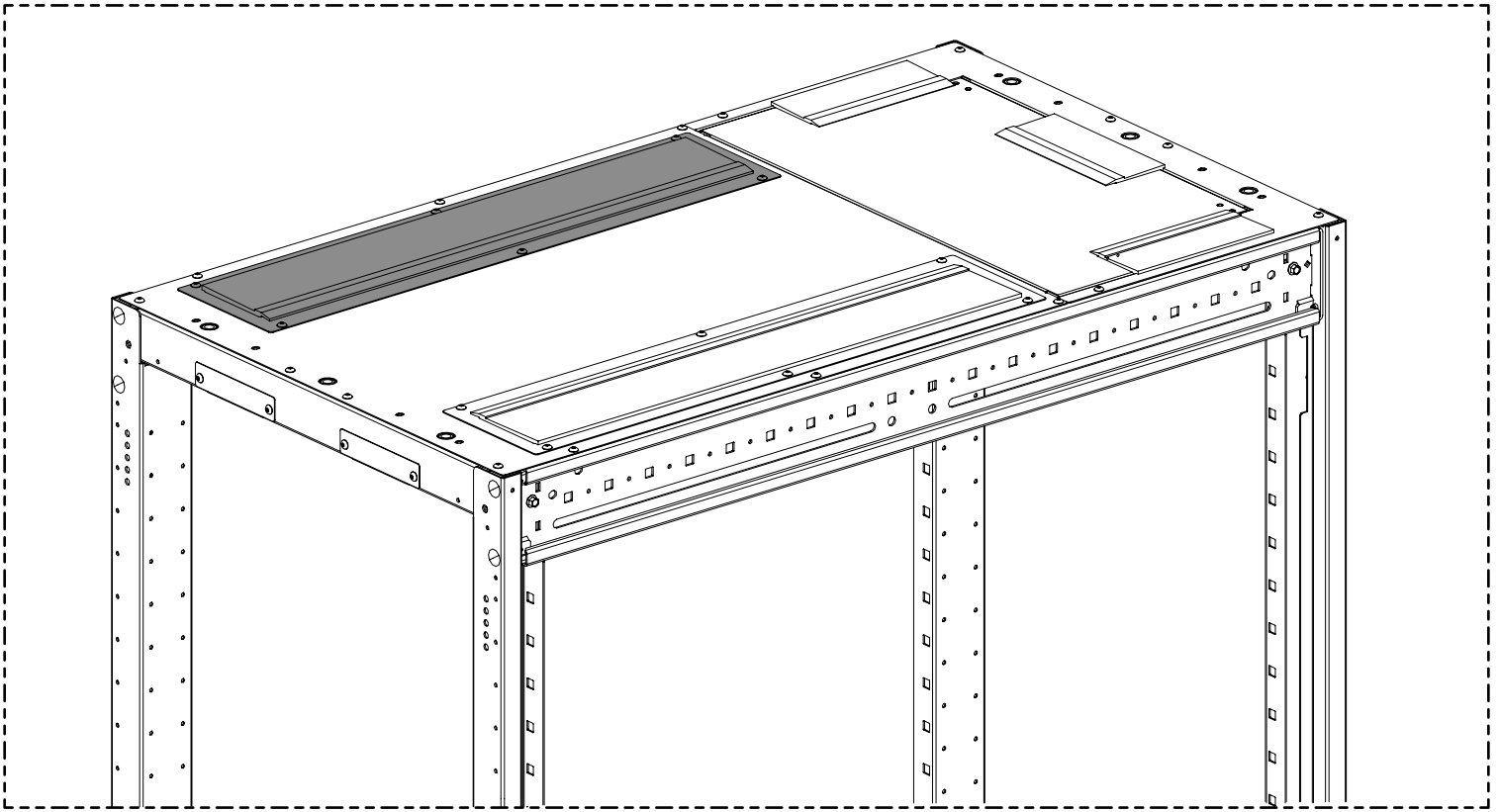


#### Tool List



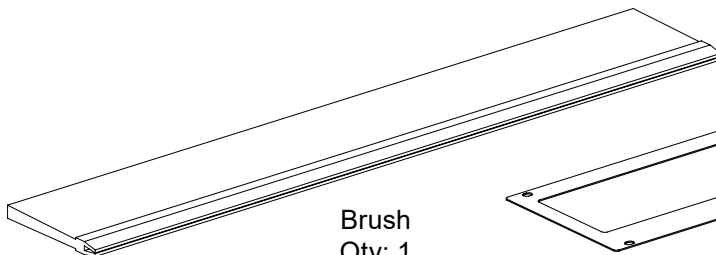
T25 Torx driver



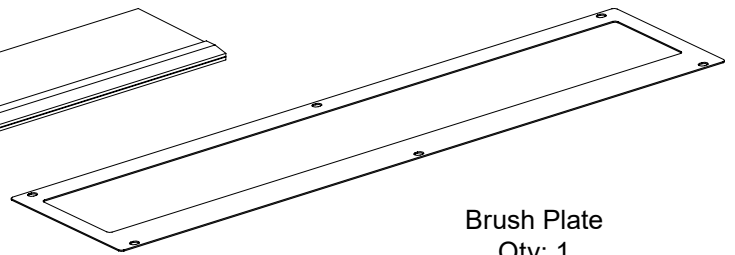
#### Components Included



M5x0.8 x 7mm  
Button Head Screw  
Qty: 06



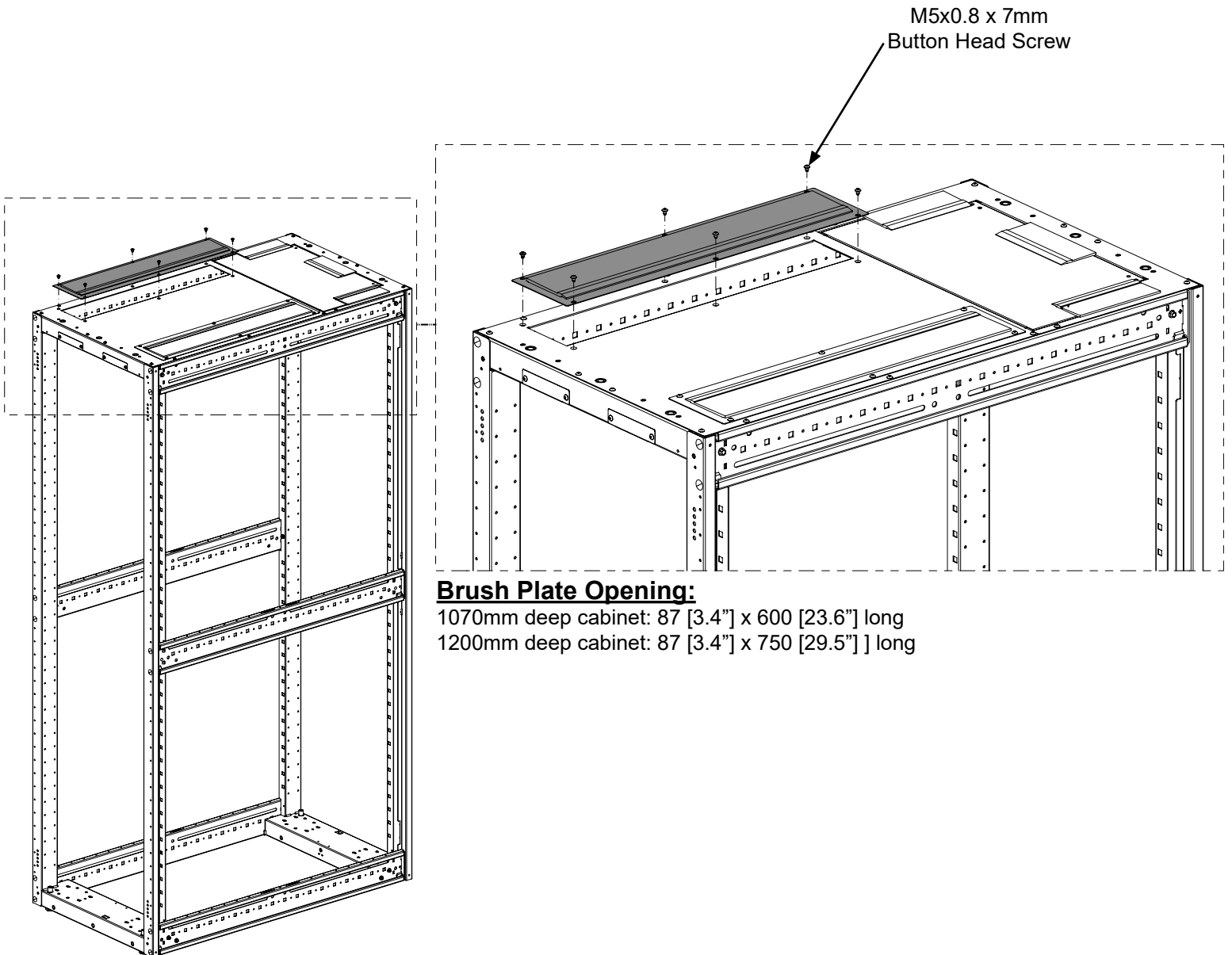
Brush  
Qty: 1



Brush Plate  
Qty: 1

## Top Cap Brush Seal Installation

- Install Brush Plate to the Top Cap using (6) M5x0.8 x 7mm Button Head Screws



For Instructions in Local Languages  
and Technical Support:

[www.panduit.com/resources/install\\_maintain.asp](http://www.panduit.com/resources/install_maintain.asp)

**PANDUIT**  
www.panduit.com

E-mail:  
[techsupport@panduit.com](mailto:techsupport@panduit.com)

Phone:  
866-405-6654