

Part number

CHP 06 LS2



Surface mounting housing, C-TYPE series, with 1 lever, Pg16 x 2 cable entry, size "44.27", with metal cover

Product description

Product type	Surface mounting housing
Series	C-TYPE
Closing type	With 1 lever
Size	Size "44.27"
Cable entry	Pg16 x 2
Specification	With metal cover

Technical data

IP degree of protection	IP65
--------------------------------	------

Further technical details

Weight	255,00 g
Operating temperature range (min, max)	-40°C...+125°C

Material properties

Colour	RAL 7040 grey
RoHs conformity	Compliant
China RoHs - EFUP	E
REACH SVHC substances	No

Approvals / Standards

Certifications	DNV-GL, BV
UL	ECBT2
cUL	ECBT8

General ordering information

EAN13 code	8015747021623
-------------------	---------------

Packaging Information

Packaging length	475,00 mm
Packaging height	160,00 mm
Packaging width	140,00 mm
Packaging weight	2,73 kg
Packaging volume	10,64 dm ³
Packaging description	Carton box
Packaging quantity	10 Pcs
Packaging EAN code	8015747021630
Sub-packaging weight	1,37 kg
Sub-packaging description	Plastic packaging
Sub-packaging quantity	5 Pcs
Sub-packaging EAN barcode	8015747021647

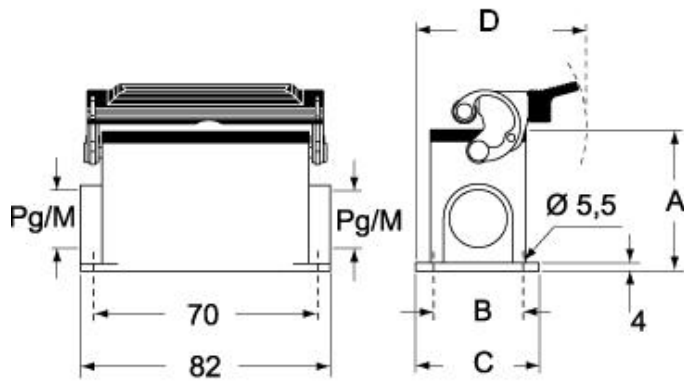
Part number

CHP 06 LS2

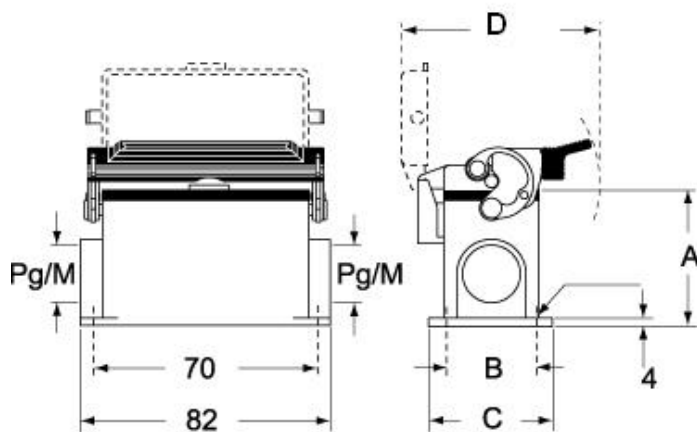


Catalogue drawings

CHP L CAP L - MHP L MAP L



CHP LS CAP LS - MHP LS MAP LS



Notes

Dimensions shown in mm are not binding and may be changed without notice.