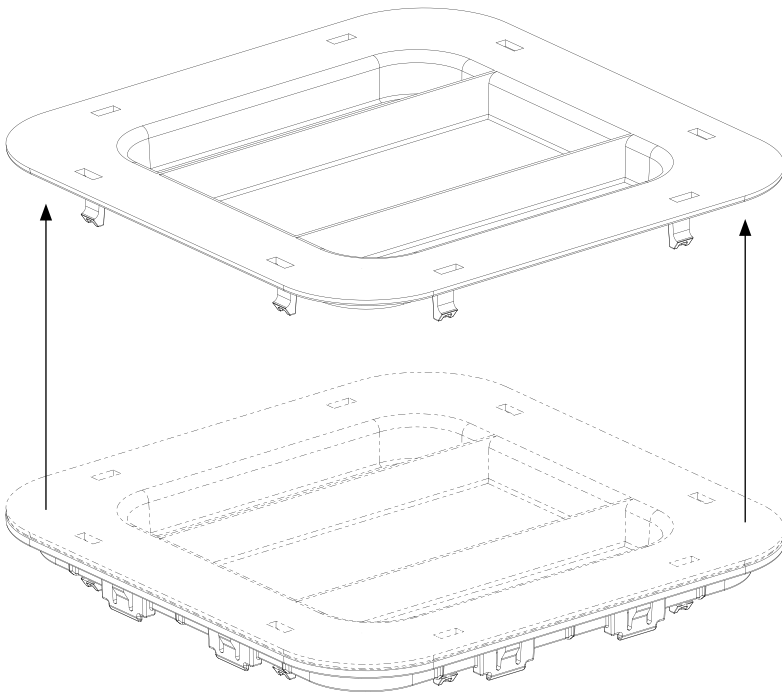


3

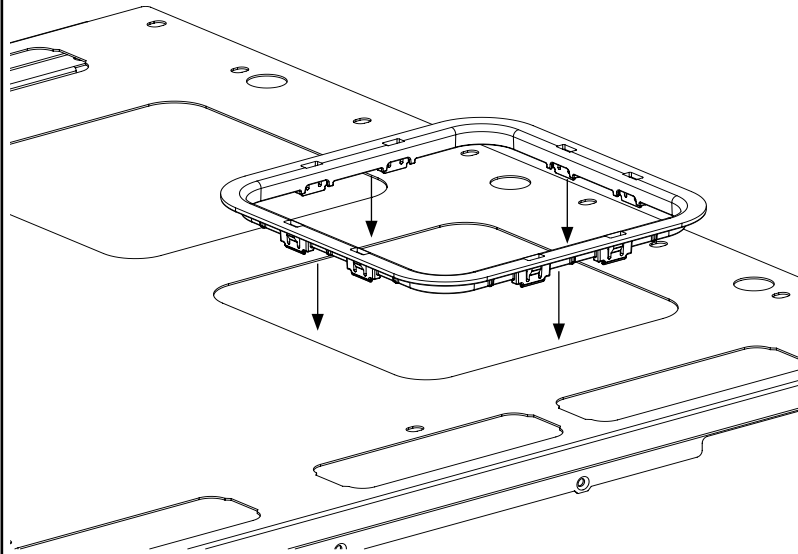
**REMOVE TOP CAP FROM BEZEL**



4

**INSERT BEZEL INTO TOP OF CABINET**

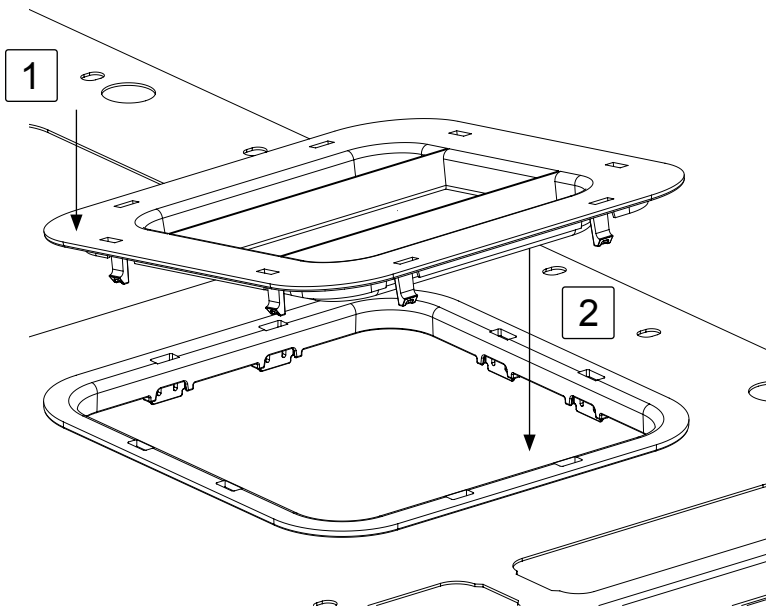
-Insert bezel into cabinet top cap by snapping into place over each latch. Visually inspect to ensure all latch tabs have engaged below the opening. Then apply moderate forces in the upward direction to ensure the part is secured into the cabinet top cap.



5

**INSERT TOP COVER**

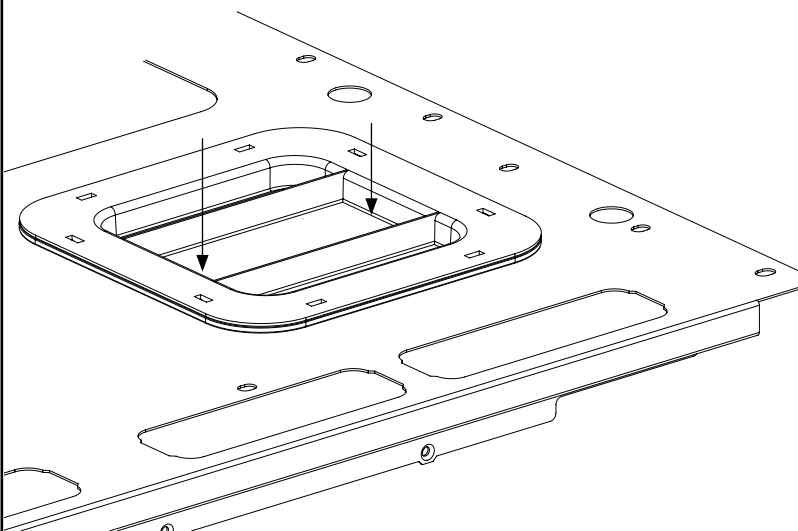
-Insert one side of cover, lengthwise, into bezel. Then pivot the other down, snapping the cover into place.



6

**SECURE TOP COVER**

-Using the finger pull, apply moderate forces in any direction to ensure the part is secured into the cabinet top cap. Repeat steps 1 thru 6 as needed.



For Instructions in Local Languages  
and Technical Support:

[www.panduit.com/resources/install\\_maintain.asp](http://www.panduit.com/resources/install_maintain.asp)

**PANDUIT**

[www.panduit.com](http://www.panduit.com)

E-mail:  
[techsupport@panduit.com](mailto:techsupport@panduit.com)

Phone:  
866-405-6654