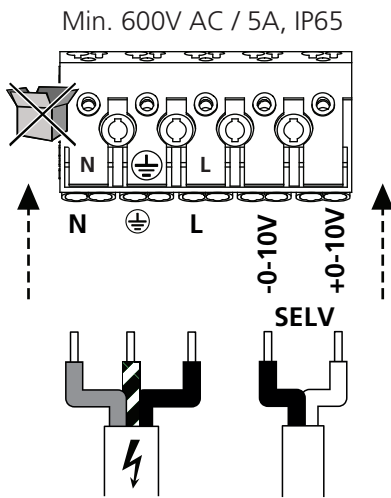
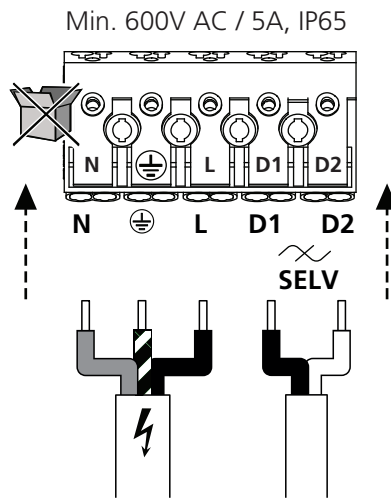


Suspended mounting (a)

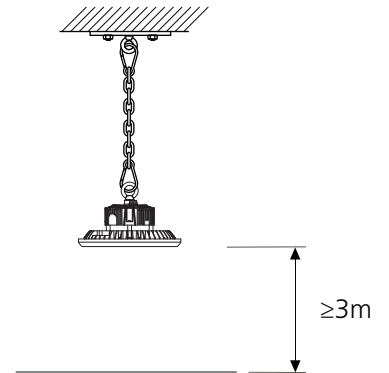
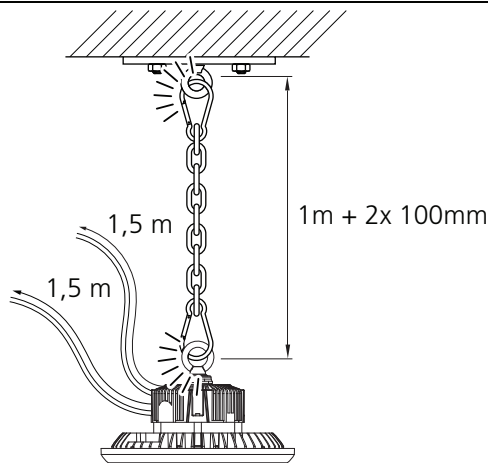
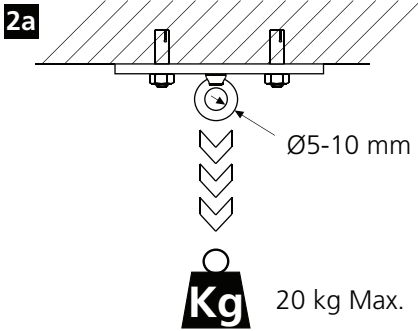
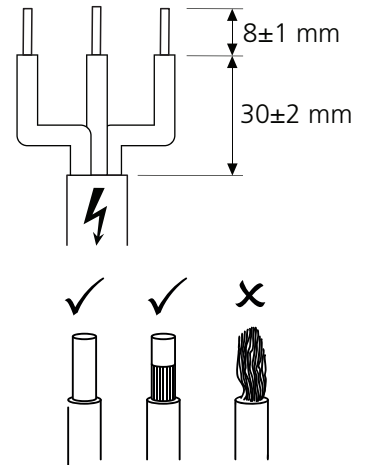
1a ⚡ 220-240V + 0-10V



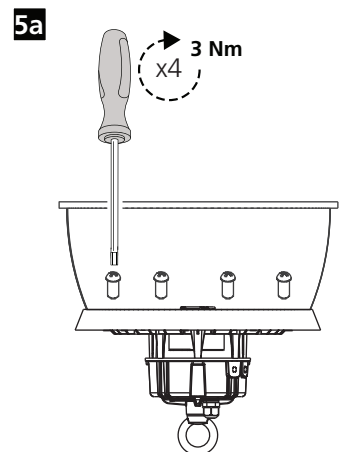
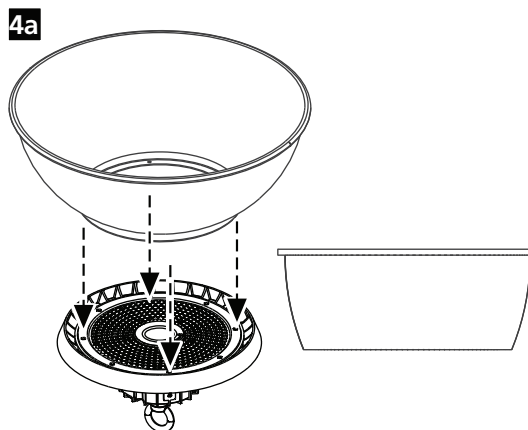
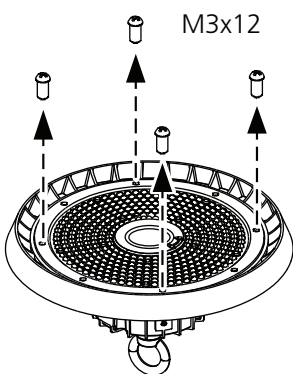
1b ⚡ 220-240V + DALI



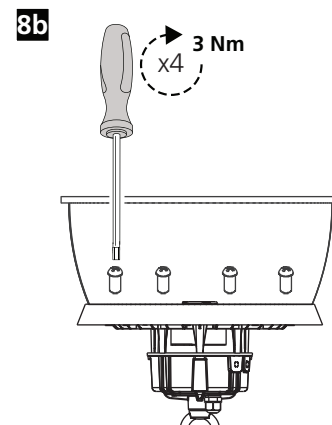
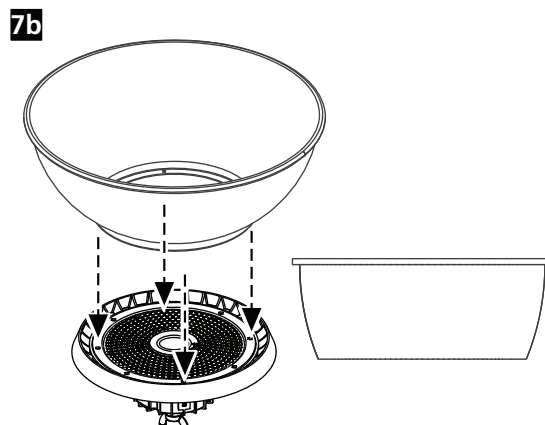
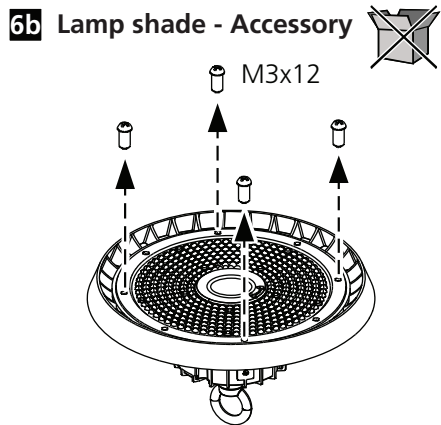
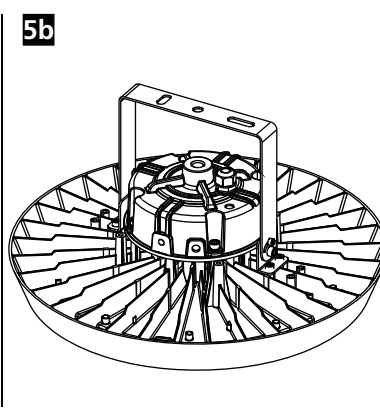
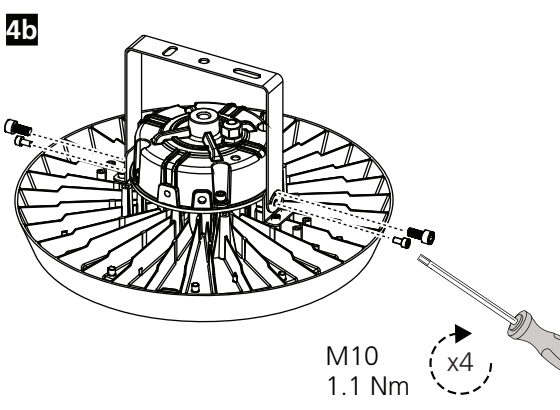
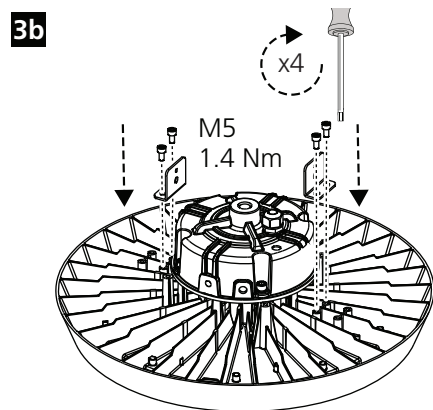
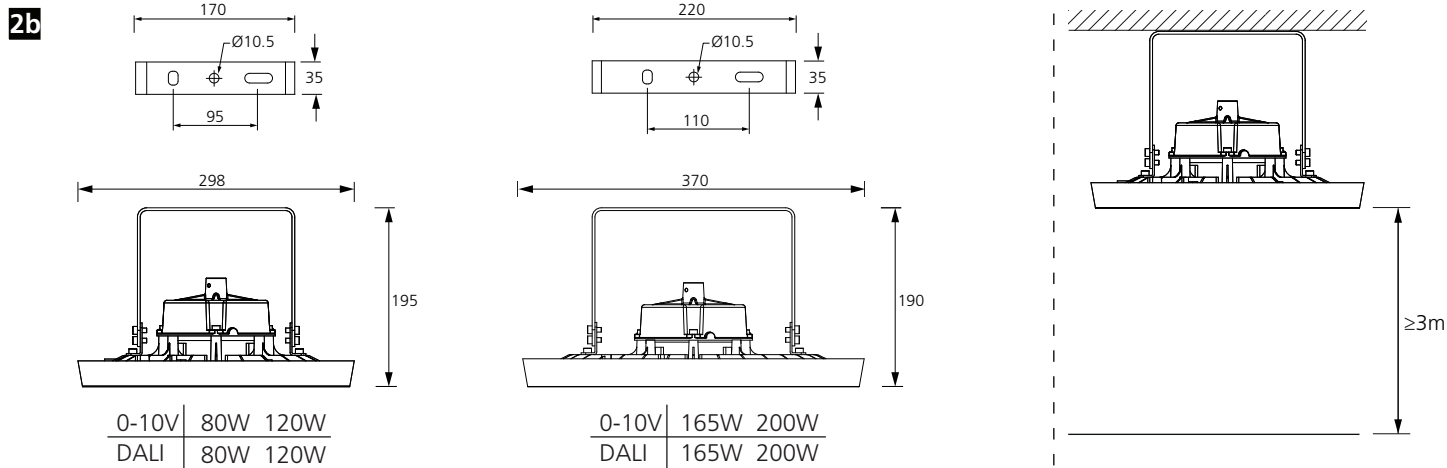
i ⚡



3a Lamp shade - Accessory



Bracket mounting (b) 



! Z-type

