



Enclosures with cut-outs for Ø22mm units - with hole for 6 actuators  
LPZM

Product designation

Product type designation

General characteristics

Colour Grey

IEC degree of protection IP66 and IP67

Mechanical features

Weight g 671

UL technical data

UL degree of protection NEMA 4X

Ambient conditions

Temperature

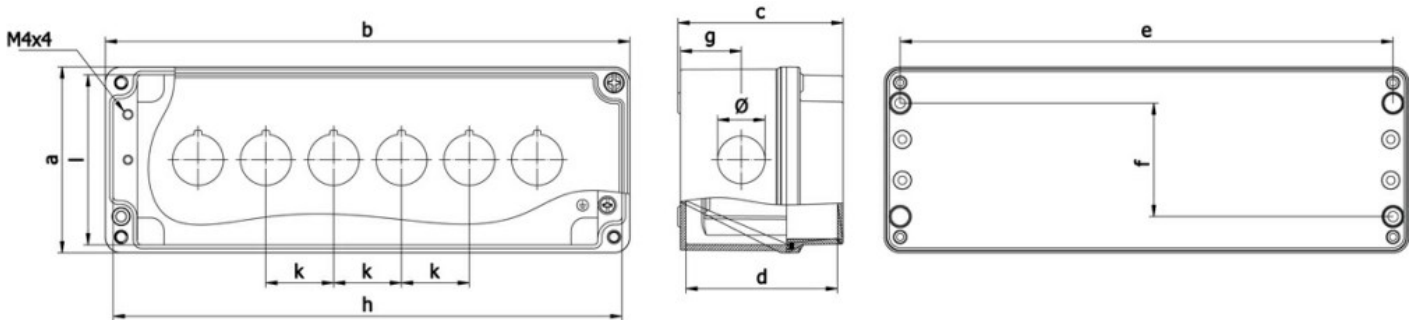
Operating temperature

min °C -25  
max °C +70

Storage temperature

min °C -40  
max °C +85

Dimensions



| a  | b   | c  | d  | e   | f  | g  | h   | i  | k  | Ø  |
|----|-----|----|----|-----|----|----|-----|----|----|----|
| 80 | 230 | 73 | 67 | 218 | 50 | 27 | 225 | 75 | 30 | 21 |

Certifications and compliance

Compliance

CSA C22.2 n° 14

IEC/EN 60947-1

IEC/EN 60947-5-1

UL508

Certificates

cULus

EAC

ETIM classification

ETIM 8.0

EC000200 -  
Enclosure for  
control circuit  
devices