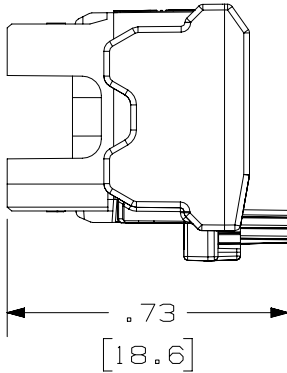
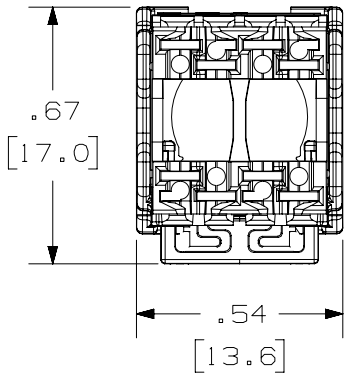
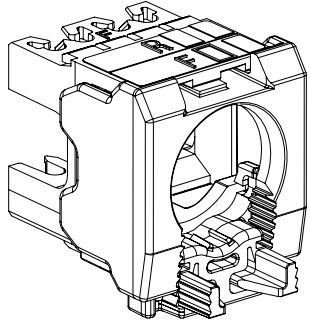


THIS COPY IS PROVIDED ON A RESTRICTED BASIS AND IS NOT TO BE USED IN ANY WAY DETRIMENTAL TO THE INTERESTS OF PANDUIT CORP.



NOTES:

1. VISIT OUR ON-LINE CATALOG AT WWW.PANDUIT.COM FOR A LIST OF CURRENT PARTS APPLICABLE FOR USE WITH THIS PRODUCT.
2. DIMENSIONS IN [] ARE METRIC.
3. ALL MATERIALS AND COMPONENTS USED MEET THE MATERIAL RESTRICTIONS OF RoHS (EUROPEAN DIRECTIVE 2011/65/EU ON THE RESTRICTION OF HAZARDOUS SUBSTANCES) AS PROPOSED BY THE RoHS TECHNICAL ADAPTATION COMMITTEE.
4. WEIGHT: 0.96LB/100 PCS [436g/100 PCS]
5. TERMINATES WITH FIELD TERMINABLE STP RJ45 PLUGS (PANDUIT P/N: FPS6X88MTG)
6. WIRE CAP ASSEMBLY TERMINATES CABLE STRAIGHT (HORIZONTAL).
7. ABLE TO BE USED WITH CATEGORY 5E, 6, AND 6A APPLICATIONS.
8. TERMINATES 22-26AWG SOLID OR STRANDED STP CABLE
9. MATERIAL: POLYCARBONATE W/ FLAME RATING OF UL94V-0, Ni-PLATED ZINC ALLOY
10. WIRE CAP LABEL IS CODED FOR PROFINET 2-PAIR WIRING SCHEMES.
11. FOR USE WITH PLUG ASSEMBLY FPE6X88MTG

PART NUMBER		CPECAPGR-X		
TITLE				
STRAIGHT (HORIZONTAL) WIRE CAP ASSEMBLY FOR PROFINET 2-PAIR FIELD TERMINABLE STP RJ45 PLUG ASSEMBLY				
CUSTOMER DRAWING				
ITEM REVISION NAME		00067EAE/01		
DATASET FILE NAME		00067EAE_DC/01A		
		THIRD ANGLE PROJECTION		
MATERIAL		SEE NOTE 9		DRAWING NUMBER 00067EAE-DC
01A	12-6-18	BJN	KZU	TMBA
00A	10-10-18	BJN	KZU	TMBA
REV	DATE	BY	CHK	APR
DESCRIPTION				
ECN				
00067EAE-DC	00067EAE-DC			
00067EAE-DC	00067EAE-DC			
DRAWN BY	DATE	CHK	SCALE	SIZE
BJN	10-10-18	KZU	2:1	A
SHEET 1 OF 1				A

A-SIZE CUSTOMER

2

1

2

1