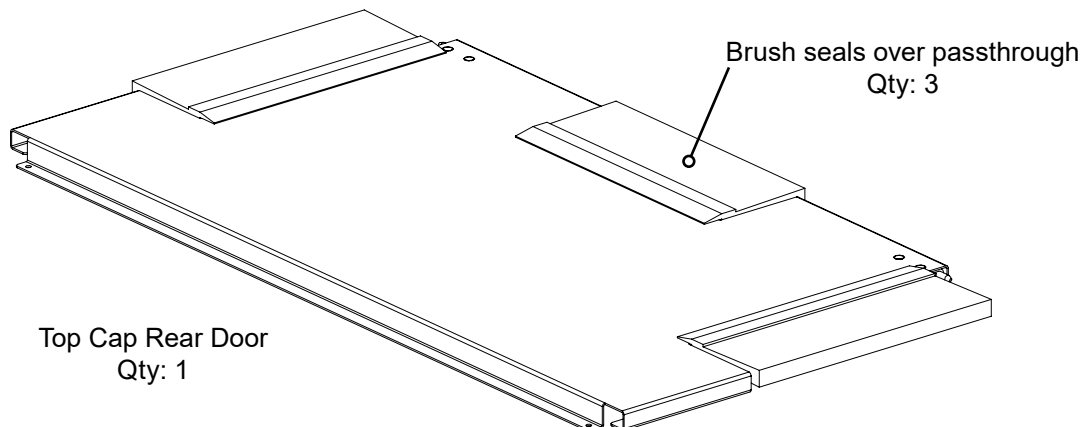
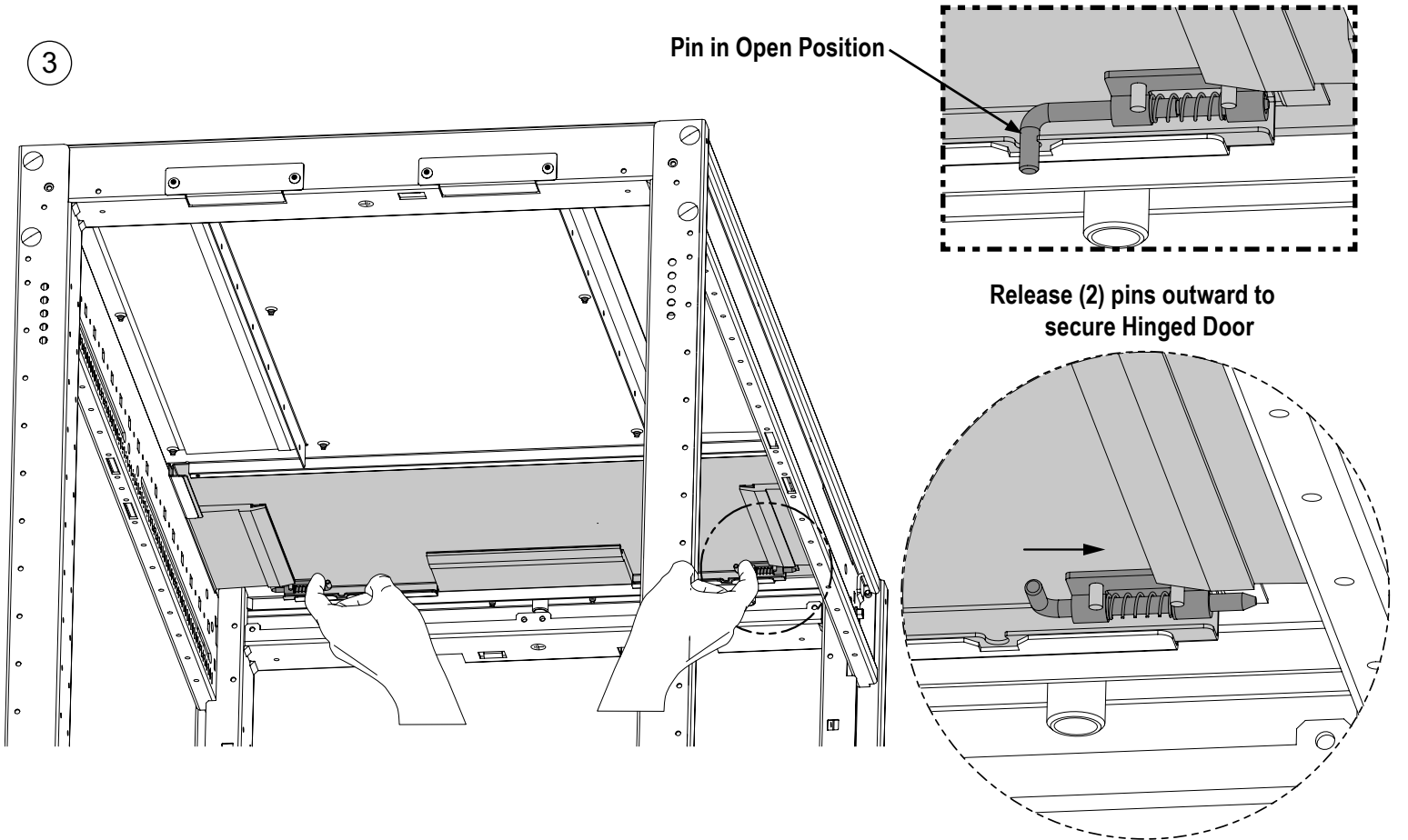
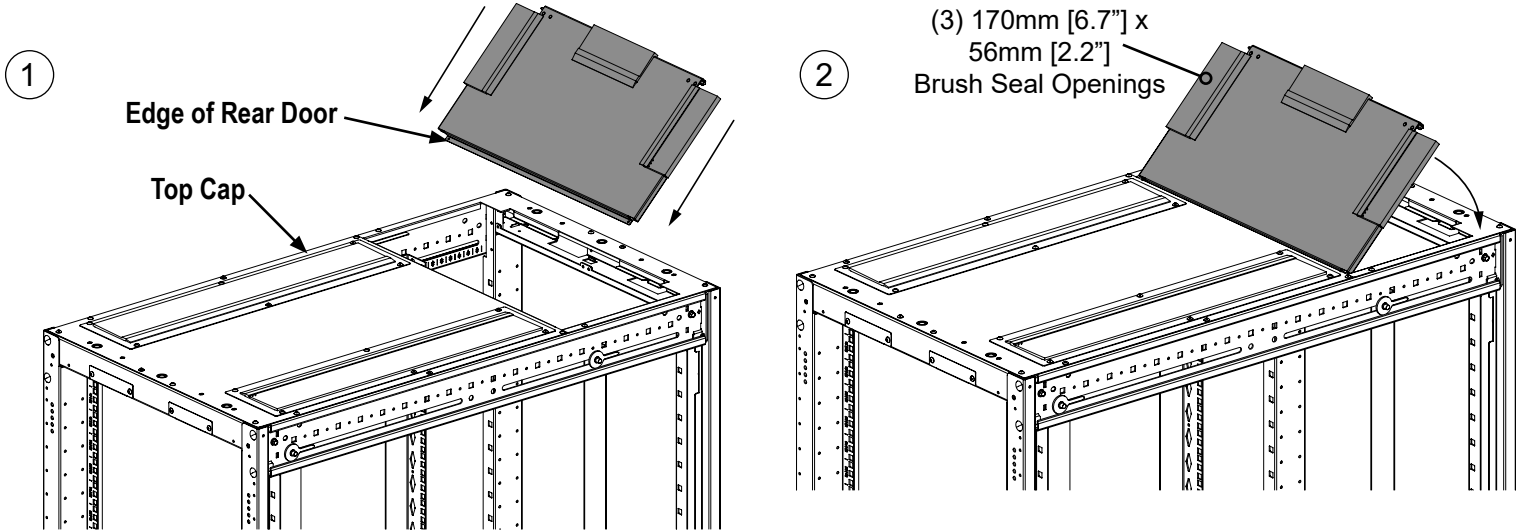


Components Included



Top Cap Rear Door Installation

- Insert edge of rear door under top cap front plate to secure it in place.
- Slide Pins back to allow unit to nest when closing the Top Cap Rear Door.
- Release (2) spring loaded pins toward outside of frame to lock Top Cap Rear Door in place.
- Door can be opened for installing PDU receptacle or larger devices



For Instructions in Local Languages
and Technical Support:

www.panduit.com/resources/install_maintain.asp

PANDUIT

www.panduit.com

E-mail:
techsupport@panduit.com

Phone:
866-405-6654