

KTGJTBLD, KTGJTBNA, and KTGJTGRD KITS FOR TGJT TOOL INSTALLATION INSTRUCTIONS

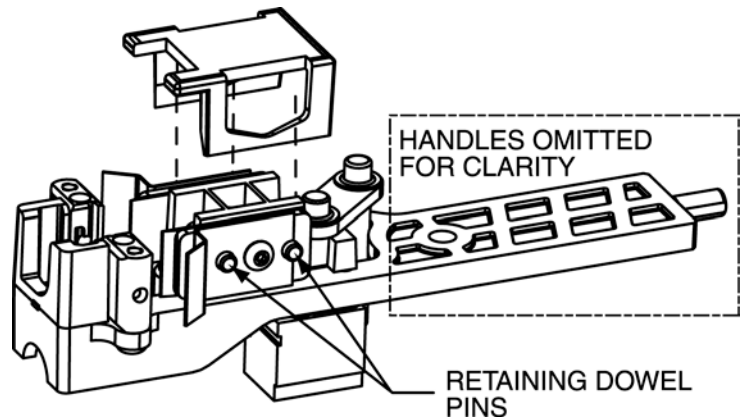
© Panduit Corp. 2016

KTGJTGRD – FINGER GUARD KIT

1. Finger Guard Installation: The finger guard snaps down around the two spring wire retainers. Align the five cornered holes with the two dowel pins on each side. Trigger handle may need to be squeezed closed for clearance.
2. Finger Guard Removal: Removal is accomplished by carefully prying up each flange with a small flat screwdriver so that the flange clears the two dowel pins. Be careful to not over-bend or the flange may break.

(See Figure 1)

Figure 1



KTGJTBLD – BLADE GUARD KIT

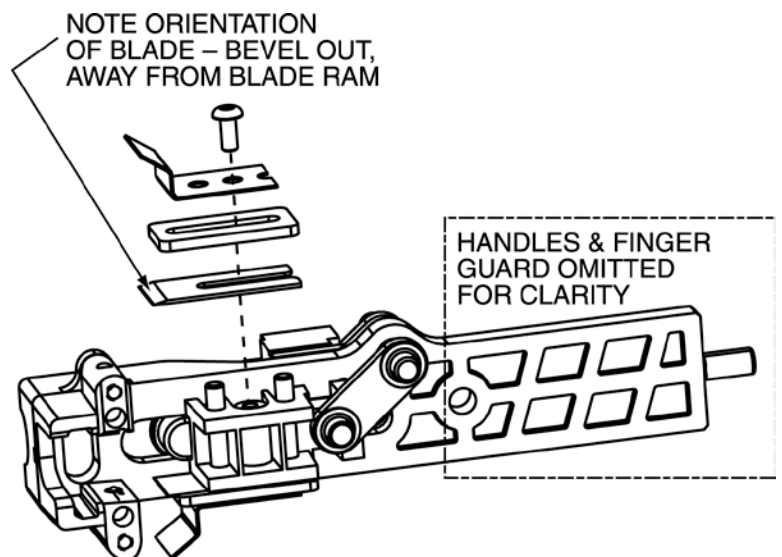
1. Old Blade Removal: Remove finger guard per finger guard kit steps (see above). Set aside. Remove screw holding wire retainer, support plate and blade. Do the same for the opposite side.
2. New Blade Installation: Installation is the reverse of the above steps. Keep screw slightly loose. When complete, snap finger guard back over dowel pins. Squeeze handles together and tighten two screws. This step aligns blades and anvils.
3. Examine anvil. If heavily worn, replace with new anvil. Anvils are reversible if not previously done. Anvil can be reversed end for end and retightened per instructions for KTGJTBNA Kit (see Page 2).



Use Caution with the blades.
They are SHARP!

(See Figure 2)

Figure 2



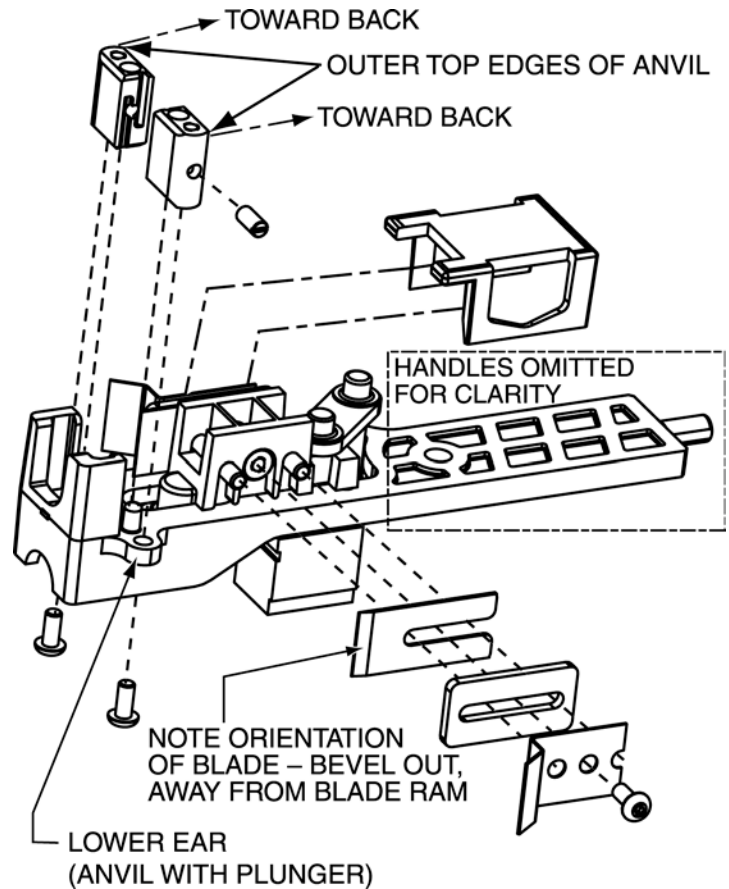
INSTALLATION INSTRUCTIONS: KTGJTBLD, KTGJTBN, and KTGJTGRD

KTGJTBN – BLADE AND ANVIL KIT

1. Old Blade Removal: Remove finger guard per finger guard kit steps. Set aside. Remove old blade per blade kit steps.
2. New Blade Installation: Installation is the reverse of the above steps. Leave screws slightly loose.
3. Blade Anvil Removal: Remove two screws holding the anvils on the tool.
4. Blade Anvil Assembly: Using a small flat screwdriver, insert small ball plunger into one of the blade anvils. This anvil assembly will go on the lower ear of the tool (closest to the trigger handle.)
5. Blade Anvil Installation: Attach anvils over pins with small screws. Note anvil with ball plunger is on lower ear (closest to trigger handle). As anvils wear, anvils are reversible by removing screws and flipping anvil end to end. Leave screws slightly loose.
6. Anvil Blade Alignment: Using a sample TG Wire Cap/Wire Assembly, place assembly into tool. Using thumb and forefinger push outer top edges of anvils towards back of tool (towards handles). Squeeze handles closed and tighten two anvil screws. Cap should be removable with slight resistance. Adjust ball plunger outward to loosen cap removal, inward to tighten cap removal. Once complete, squeeze handles and tighten screws for blades. These steps will align the blades and anvils in the tool.

(See Figure 3)

Figure 3



E-mail:
techsupport@panduit.com

PANDUIT
www.panduit.com

Technical Support:
888-506-5400, ext. 86914