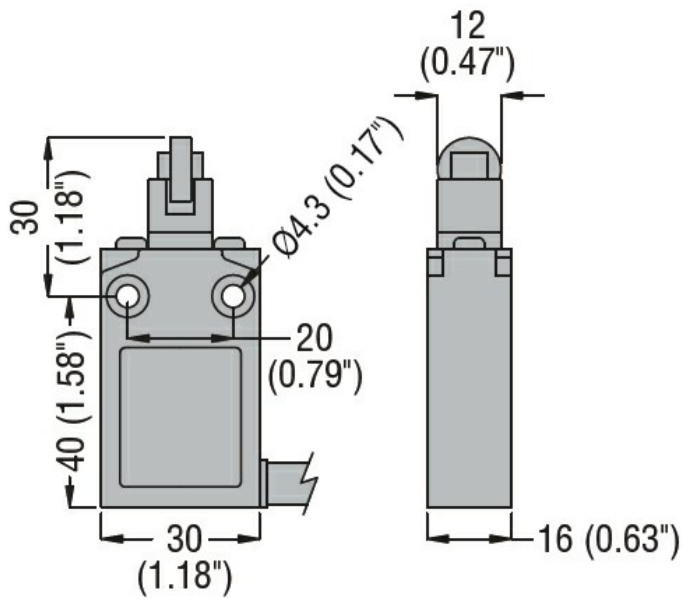


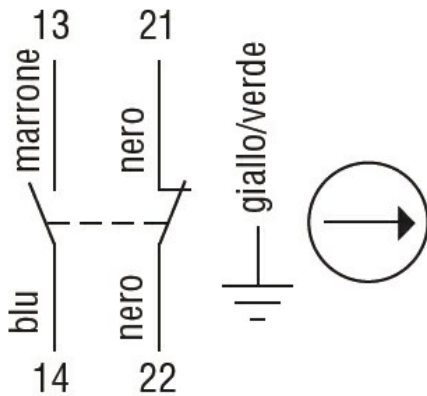


Product designation	Top roller push plunger		
Product type designation	KPB4		
<b>General characteristics</b>			
Material	Housing	Aluminium-zinc alloy	
	Roller	Metal	
<b>Contact characteristics</b>			
Type of contact	1NO+1NC Slow action		
Thermal current I <sub>th</sub>	A	10	
IEC/EN 60947-5-1 designation	B300 R300		
Rated insulation voltage U <sub>i</sub>	V	400	
Rated impulse withstand voltage U <sub>imp</sub>	kV	4	
Insulation class	I		
IEC Conventional free air thermal current I <sub>th</sub>	A	10	
Resistance per pole (average value)	mΩ	<25	
Conductivity	10mA 5V		
<b>Mechanical features</b>			
Operating head fixing	Fixed		
Operating torque	N	10	
	lb	2.2	
Tightening torque (Max) Switch fixing	Nm	2.5	
	lbin	22.1	
	g	290	
<b>Operations</b>			
Mechanical life	cycles	>10000000	
Mechanical operation	cycles/h	3600	
<b>Ambient conditions</b>			
Temperature	Operating temperature		
	min	°C	-25
	max	°C	+70
	Storage temperature		
	min	°C	-40
	max	°C	+70
<b>Resistance &amp; Protection</b>			
IP degree	Body housing		IP67
	Pollution degree		3
<b>Dimensions</b>			



Wiring diagrams

Slow action



1NO + 1NC

Certifications and compliance

Compliance

CSA C22.2 n° 14.  
 IEC/EN 60947-1  
 IEC/EN 60947-5-1  
 UL508

Certificates

cULus  
 EAC

ETIM classification

ETIM 8.0

EC000030 - End switch