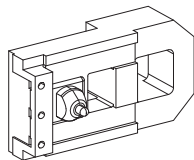
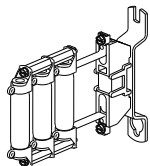


LX5 FJW../FKW../FLW..

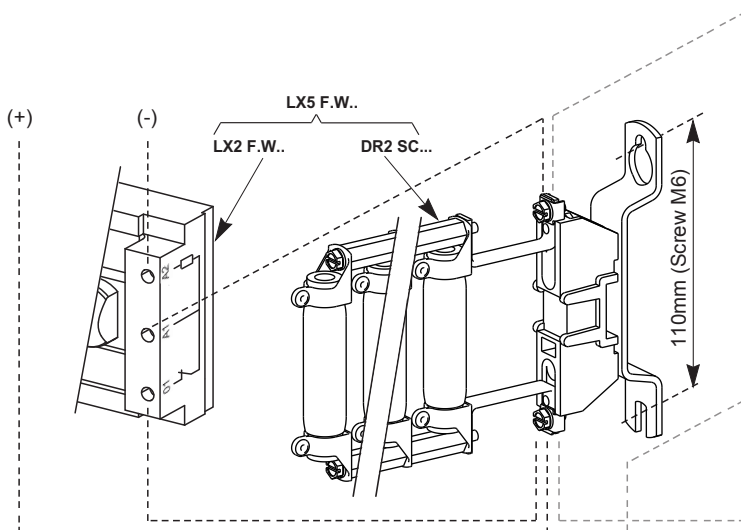
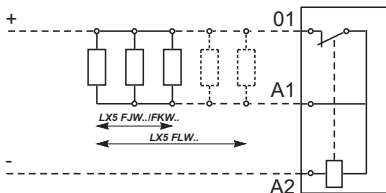


LX2 F.W..

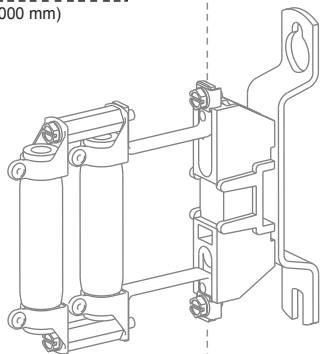
+





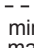

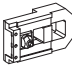

DR2 SC...



(Cable length between resistance and coil: maxi. 1000 mm)



LX5 F.W..

Commercial Reference	 W	 W	 min. max. V	 g1	 W	 W	Coil Reference	Resistance Reference
LX5 FJW11	290~860	16~47	18-32	16A	1~3	15~44	LX2 FJW11	3x DR2 SC0056
LX5 FJW18	290~860	16~47	35-60	8A	1~3	15~44	LX2 FJW18	3x DR2 SC0220
LX5 FJW21	290~860	16~47	50-90	4A	1~3	15~44	LX2 FJW21	3x DR2 SC0470
LX5 FJW24	290~860	16~47	75-138	2A	1~3	15~44	LX2 FJW24	3x DR2 SC1200
LX5 FJW25	290~860	16~47	85-145	2A	1~3	15~44	LX2 FJW25	3x DR2 SC1500
LX5 FKW11	346~1110	17~54	18-32	16A	1~3	16~51	LX2 FKW11	3x DR2 SC0056
LX5 FKW21	346~1110	17~54	50-90	4A	1~3	16~51	LX2 FKW21	3x DR2 SC0470
LX5 FKW24	346~1110	17~54	74-138	4A	1~3	16~51	LX2 FKW24	3x DR2 SC1000
LX5 FKW25	346~1110	17~54	85-145	2A	1~3	16~51	LX2 FKW25	3x DR2 SC1200
LX5 FLW20	585~1878	34~110	50-90	8A	2~6	32~104	LX2 FLW20	5x DR2 SC0470
LX5 FLW23	585~1878	34~110	71-138	6A	2~6	32~104	LX2 FLW23	5x DR2 SC0820
LX5 FLW24	585~1878	34~110	85-145	6A	2~6	32~104	LX2 FLW24	5x DR2 SC1200