


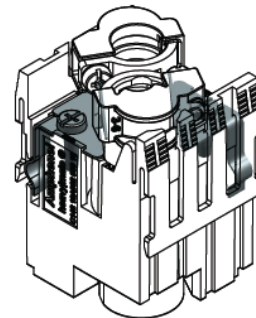
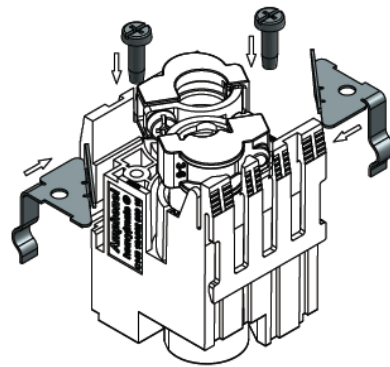
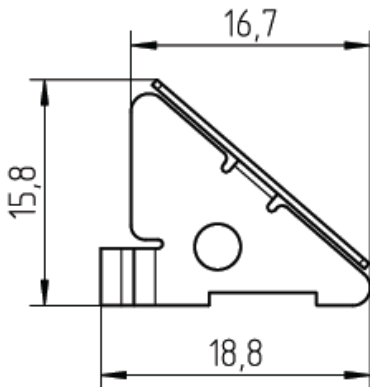
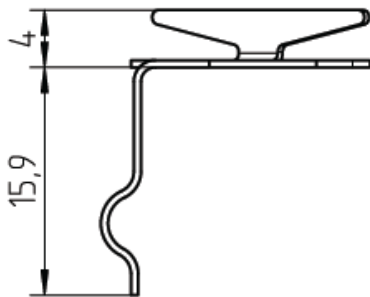
44423265	DATA SHEET	
Valid from: 17.09.2018	EPIC® MHS POTENTIAL SET	

Description

- Equipotential springs for multi frame
- For use in EPIC® MH BUS modules



Drawings



Note

Photographs are not to scale and do not represent detailed images of the respective products.

Creator: MANA2/PDP Released: IVSE1/PDP	Document: DB44423265EN Version: 01	Page 1 of 1
---	---------------------------------------	-------------