

PART No. MATRIX

E 2 2 E 0 6 0 2 1 M X X X X

E=ETHERNET/
Ethernet

HEADS:
1 = M12 D-Coding

HEADS STYLE:
060 = MALE STR / MALE STR

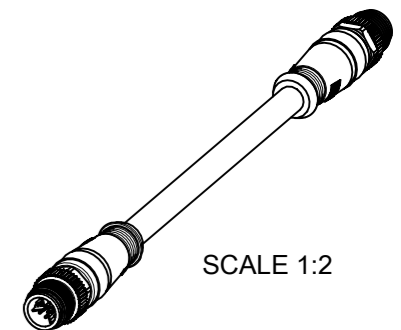
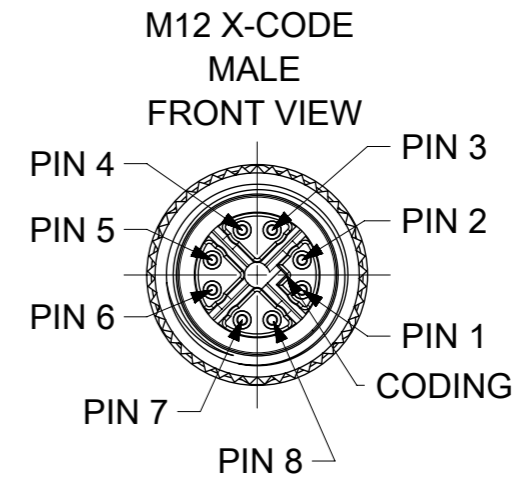
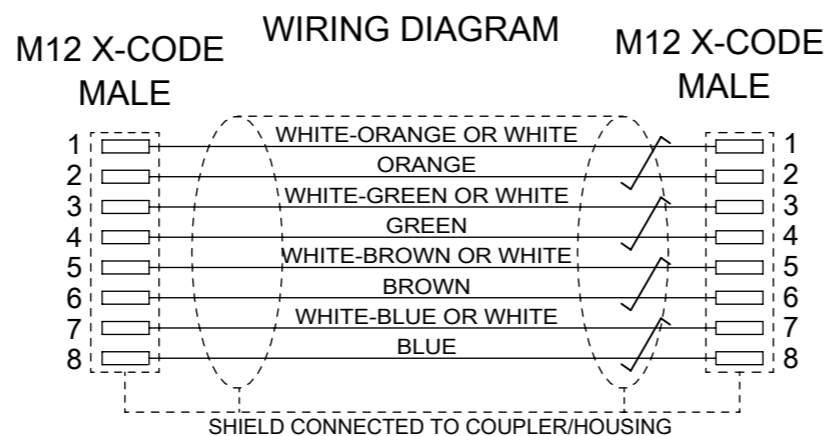
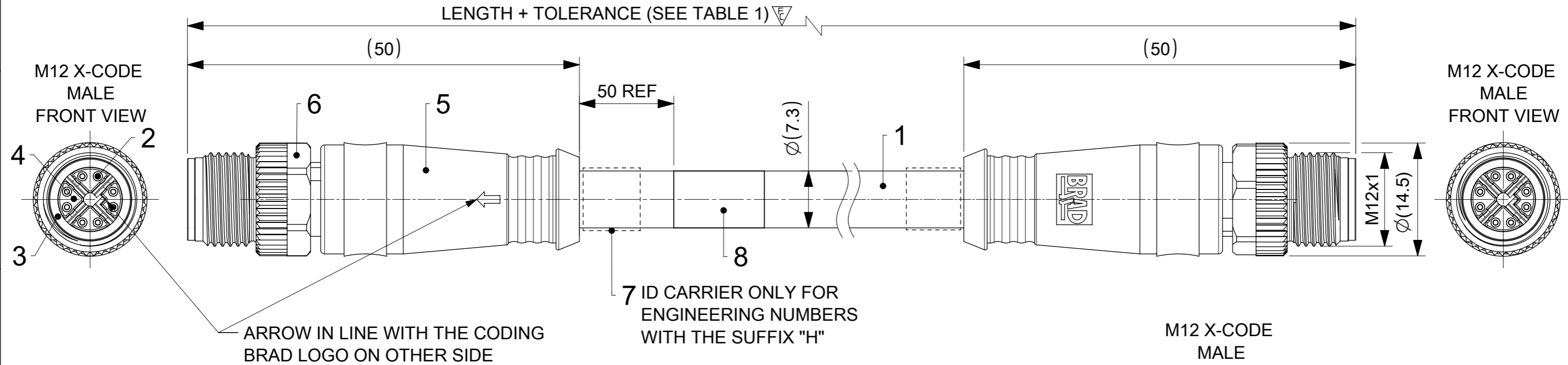
CABLE TYPE:
CABLE 21

UNITS:
M= METER
T=10x METER

LENGTH EXAMPLES:
005=0.5 m
010=1 m
150=15 m
T100=100 m

H= 2 PCS. OF I/D Carrier

WIRING TYPE:
E=8 Pole (STRAIGHT WIRED)



BILL OF MATERIAL

ITEM	QTY	DESCRIPTION	MATERIAL	FINISH/COLOR
1	1	CABLE 4X(2X AWG26/7) CAT 7	TPE	GREEN TEAL SIMILAR RAL6026
2	16	CONTACT M12 XC MALE	BRASS	Au PLATED
3	2	SHIELD SLEEVE	Zn	Ni PLATED
4	2	INSERT M12 XC MALE	PA	BLACK
5	-	MOULDING MATERIAL	TPU	BLACK
6	2	M12 HYBRID COUPLING NUT	BRASS	Ni PLATED
7	2	I/D CARRIER 6-10mmx30mm	PVC	TRANSPARENT
8	1	LABEL 2.0X1.75	VINYL	YELLOW

DOCUMENT STATUS P1 RELEASE DATE 2024/03/21 10:35:13

FUNCTIONAL SYMBOLS $\nabla_{A/}$ = 0 $\nabla_{E/}$ = 1 $\nabla_{F/}$ = 0	THIS DRAWING CONTAINS INFORMATION THAT IS PROPRIETARY TO MOLEX ELECTRONIC TECHNOLOGIES, LLC AND SHOULD NOT BE USED WITHOUT WRITTEN PERMISSION	SCALE 2:1	CURRENT REV DESC: CABLE COLOR UPDATED	
	GENERAL TOLERANCES (UNLESS SPECIFIED)	4 PLACES \pm	EC NO: 780754	2024/03/20
	ANGULAR TOL \pm 1.0°	3 PLACES \pm	DRWN: RSCHIEBER	
	DIVISIONAL SYMBOLS	2 PLACES \pm 0.05	CHK'D: RSILLER	2024/03/21
	1 PLACE \pm 0.3	APPR: RSILLER	PRODUCT CUSTOMER DRAWING	
	0 PLACES \pm 0.5	INITIAL REVISION:	DOCUMENT NUMBER	DOC TYPE DOC PART REVISION
	DRAFT WHERE APPLICABLE MUST REMAIN WITHIN DIMENSIONS	DRWN: RSCHIEBER	1203410863	PSD 000 A8
	THIRD ANGLE PROJECTION	APPR: RSILLER	2019/05/13	
	DRAWING	SERIES	2020/12/09	
	A3-SIZE	120341	SEE TABLE 1	GENERAL MARKET
				1 OF 2

TABLE 1


MOLEX P/N	ENGINEERING NO.	DESCRIPTION	LENGTH
1203410941	E22E06021M003	M12 CAT6A M/M ST/ST TPE GREEN TEAL SIMILAR RAL6026 0.3M	300
1203410863	E22E06021M005	M12 CAT6A M/M ST/ST TPE GREEN TEAL SIMILAR RAL6026 0.5M	500
1203410864	E22E06021M010	M12 CAT6A M/M ST/ST TPE GREEN TEAL SIMILAR RAL6026 1M	1000
1203410865	E22E06021M020	M12 CAT6A M/M ST/ST TPE GREEN TEAL SIMILAR RAL6026 2M	2000
1203410866	E22E06021M030	M12 CAT6A M/M ST/ST TPE GREEN TEAL SIMILAR RAL6026 3M	3000
1203410867	E22E06021M040	M12 CAT6A M/M ST/ST TPE GREEN TEAL SIMILAR RAL6026 4M	4000
1203410868	E22E06021M050	M12 CAT6A M/M ST/ST TPE GREEN TEAL SIMILAR RAL6026 5M	5000
1203410869	E22E06021M060	M12 CAT6A M/M ST/ST TPE GREEN TEAL SIMILAR RAL6026 6M	6000
1203410895	E22E06021M070	M12 CAT6A M/M ST/ST TPE GREEN TEAL SIMILAR RAL6026 7M	7000
1203410870	E22E06021M080	M12 CAT6A M/M ST/ST TPE GREEN TEAL SIMILAR RAL6026 8M	8000
1203410896	E22E06021M090	M12 CAT6A M/M ST/ST TPE GREEN TEAL SIMILAR RAL6026 9M	9000
1203410871	E22E06021M100	M12 CAT6A M/M ST/ST TPE GREEN TEAL SIMILAR RAL6026 10M	10000
1203410942	E22E06021M120	M12 CAT6A M/M ST/ST TPE GREEN TEAL SIMILAR RAL6026 12M	12000
1203410943	E22E06021M140	M12 CAT6A M/M ST/ST TPE GREEN TEAL SIMILAR RAL6026 14M	14000
1203410872	E22E06021M150	M12 CAT6A M/M ST/ST TPE GREEN TEAL SIMILAR RAL6026 15M	15000
1203410944	E22E06021M180	M12 CAT6A M/M ST/ST TPE GREEN TEAL SIMILAR RAL6026 18M	18000
1203410873	E22E06021M200	M12 CAT6A M/M ST/ST TPE GREEN TEAL SIMILAR RAL6026 20M	20000
1203410945	E22E06021M230	M12 CAT6A M/M ST/ST TPE GREEN TEAL SIMILAR RAL6026 23M	23000
1203410946	E22E06021M270	M12 CAT6A M/M ST/ST TPE GREEN TEAL SIMILAR RAL6026 27M	27000
1203410947	E22E06021M300	M12 CAT6A M/M ST/ST TPE GREEN TEAL SIMILAR RAL6026 30M	30000
1203410948	E22E06021M340	M12 CAT6A M/M ST/ST TPE GREEN TEAL SIMILAR RAL6026 34M	34000
1203410949	E22E06021M380	M12 CAT6A M/M ST/ST TPE GREEN TEAL SIMILAR RAL6026 38M	38000
1203410950	E22E06021M420	M12 CAT6A M/M ST/ST TPE GREEN TEAL SIMILAR RAL6026 42M	42000
1203410951	E22E06021M460	M12 CAT6A M/M ST/ST TPE GREEN TEAL SIMILAR RAL6026 46M	46000
1203410952	E22E06021M500	M12 CAT6A M/M ST/ST TPE GREEN TEAL SIMILAR RAL6026 50M	50000
1203410953	E22E06021M540	M12 CAT6A M/M ST/ST TPE GREEN TEAL SIMILAR RAL6026 54M	54000
1203410954	E22E06021M570	M12 CAT6A M/M ST/ST TPE GREEN TEAL SIMILAR RAL6026 57M	57000
1203410955	E22E06021M610	M12 CAT6A M/M ST/ST TPE GREEN TEAL SIMILAR RAL6026 61M	61000
1203410956	E22E06021M650	M12 CAT6A M/M ST/ST TPE GREEN TEAL SIMILAR RAL6026 65M	65000
1203410957	E22E06021M700	M12 CAT6A M/M ST/ST TPE GREEN TEAL SIMILAR RAL6026 70M	70000
1203411133	E22E06021M950	M12 CAT6A M/M ST/ST TPE GREEN TEAL SIMILAR RAL6026 95M	95000

TABLE 1

WITH ID CARRIER			
MOLEX P/N	ENGINEERING NO.	DESCRIPTION	LENGTH
1203410999	E22E06021M005H	M12 CAT6A M/M ST/ST TPE GREEN TEAL SIMILAR RAL6026 0.5M-ID	500
1203411031	E22E06021M010H	M12 CAT6A M/M ST/ST TPE GREEN TEAL SIMILAR RAL6026 1M-ID	1000
1203411032	E22E06021M020H	M12 CAT6A M/M ST/ST TPE GREEN TEAL SIMILAR RAL6026 2M-ID	2000
1203411033	E22E06021M030H	M12 CAT6A M/M ST/ST TPE GREEN TEAL SIMILAR RAL6026 3M-ID	3000
1203411034	E22E06021M040H	M12 CAT6A M/M ST/ST TPE GREEN TEAL SIMILAR RAL6026 4M-ID	4000
1203411003	E22E06021M050H	M12 CAT6A M/M ST/ST TPE GREEN TEAL SIMILAR RAL6026 5M-ID	5000
1203411092	E22E06021M060H	M12 CAT6A M/M ST/ST TPE GREEN TEAL SIMILAR RAL6026 6M-ID	6000
1203411093	E22E06021M070H	M12 CAT6A M/M ST/ST TPE GREEN TEAL SIMILAR RAL6026 7M-ID	7000
1203411094	E22E06021M080H	M12 CAT6A M/M ST/ST TPE GREEN TEAL SIMILAR RAL6026 8M-ID	8000
1203411000	E22E06021M100H	M12 CAT6A M/M ST/ST TPE GREEN TEAL SIMILAR RAL6026 10M-ID	10000
1203411035	E22E06021M120H	M12 CAT6A M/M ST/ST TPE GREEN TEAL SIMILAR RAL6026 12M-ID	12000
1203411036	E22E06021M150H	M12 CAT6A M/M ST/ST TPE GREEN TEAL SIMILAR RAL6026 15M-ID	15000
1203411037	E22E06021M200H	M12 CAT6A M/M ST/ST TPE GREEN TEAL SIMILAR RAL6026 20M-ID	20000
1203410918	E22E06021M250H	M12 CAT6A M/M ST/ST TPE GREEN TEAL SIMILAR RAL6026 25M-ID	25000
1203410919	E22E06021M300H	M12 CAT6A M/M ST/ST TPE GREEN TEAL SIMILAR RAL6026 30M-ID	30000
1203410920	E22E06021M350H	M12 CAT6A M/M ST/ST TPE GREEN TEAL SIMILAR RAL6026 35M-ID	35000
1203410978	E22E06021M400H	M12 CAT6A M/M ST/ST TPE GREEN TEAL SIMILAR RAL6026 40M-ID	40000
1203410979	E22E06021M450H	M12 CAT6A M/M ST/ST TPE GREEN TEAL SIMILAR RAL6026 45M-ID	45000
1203410921	E22E06021M500H	M12 CAT6A M/M ST/ST TPE GREEN TEAL SIMILAR RAL6026 50M-ID	50000
1203410980	E22E06021M550H	M12 CAT6A M/M ST/ST TPE GREEN TEAL SIMILAR RAL6026 55M-ID	55000
1203411001	E22E06021M600H	M12 CAT6A M/M ST/ST TPE GREEN TEAL SIMILAR RAL6026 60M-ID	60000
1203410981	E22E06021M650H	M12 CAT6A M/M ST/ST TPE GREEN TEAL SIMILAR RAL6026 65M-ID	65000
1203410982	E22E06021M700H	M12 CAT6A M/M ST/ST TPE GREEN TEAL SIMILAR RAL6026 70M-ID	70000
1203410983	E22E06021M750H	M12 CAT6A M/M ST/ST TPE GREEN TEAL SIMILAR RAL6026 75M-ID	75000
1203411002	E22E06021M850H	M12 CAT6A M/M ST/ST TPE GREEN TEAL SIMILAR RAL6026 85M-ID	85000
1203411038	E22E06021M800H	M12 CAT6A M/M ST/ST TPE GREEN TEAL SIMILAR RAL6026 80M-ID	80000

NOTES:
 VOLTAGE RATING: 48 V
 CURRENT RATING: 0.5 A
 TEMPERATURE RATING:
 STATIC: -40 °C TO 80 °C
 DYNAMIC: -25 °C TO 80 °C
 IP RATING: IP 67 (IN MATED AND LOCKED CONDITION)
 TRANSMISSION CHARACTERISTICS ACCORDING TO ISO/IEC 11801 CLASS E_A CHANNEL,
 WITH INSERTION LOSS BEING IGNORED FOR CABLE LENGTHS <1 m OR >= 65 m
 PRODUCT POE++ PERFORMANCED TESTED UP TO 65m LENGTH
 PACKAGING: CORDSETS ARE PACKED IN A POLYBAG

CABLE LENGTH TOLERANCES	
LENGTH	TOLERANCE
0 m - 1 m	+40 mm
>1 m - 5 m	+60 mm
>5 m - 10 m	+80 mm
>10 m - 20 m	+140 mm
>20 m - 30 m	+160 mm
>30 m	+1% length

FUNCTIONAL SYMBOLS ∇/A = 0 ∇/E = 0 ∇/V = 0	THIS DRAWING CONTAINS INFORMATION THAT IS PROPRIETARY TO MOLEX ELECTRONIC TECHNOLOGIES, LLC AND SHOULD NOT BE USED WITHOUT WRITTEN PERMISSION		CURRENT REV DESC: CABLE COLOR UPDATED		
	mm	1:1	GENERAL TOLERANCES (UNLESS SPECIFIED)		
DIVISIONAL SYMBOLS	ANGULAR TOL ± 1.0 °		EC NO: 780754		CSE M12 CAT6A 8P XC MA STR TPE XM PRODUCT CUSTOMER DRAWING
	4 PLACES ±	3 PLACES ±	DRWN: RSCHIEBER 2024/03/20		
2 PLACES ± 0.05		CHK'D: RSILLER 2024/03/21		DOCUMENT NUMBER	
1 PLACE ± 0.3		APPR: RSILLER 2024/03/21		1203410863	
0 PLACES ± 0.5		INITIAL REVISION:		DOC TYPE DOC PART REVISION	
DRAFT WHERE APPLICABLE MUST REMAIN WITHIN DIMENSIONS		DRWN: RSCHIEBER 2019/05/13		PSD 000 A8	
THIRD ANGLE PROJECTION		APPR: RSILLER 2020/12/09		SHEET NUMBER	
DRAWING		SERIES		2 OF 2	
A3-SIZE		MATERIAL NUMBER		SEE TABLE 1	
CUSTOMER		GENERAL MARKET			