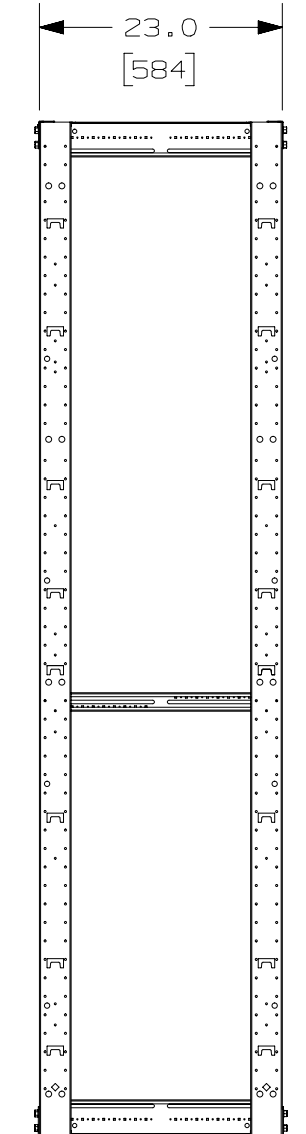
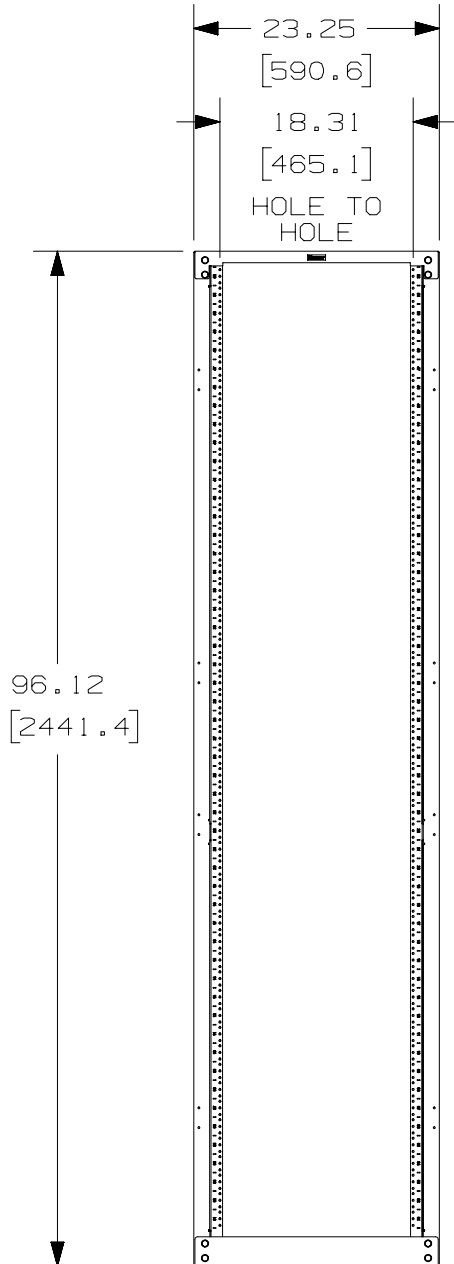


THIS COPY IS PROVIDED ON A RESTRICTED BASIS AND IS NOT TO BE USED IN ANY WAY DETRIMENTAL TO THE INTERESTS OF PANDUIT CORP.



PANDUIT P/N	WEIGHT
R4P2396	111 LBS/EACH 50.5 Kg/EACH
R4P23CN96	102 LBS/EACH 46.5 Kg/EACH

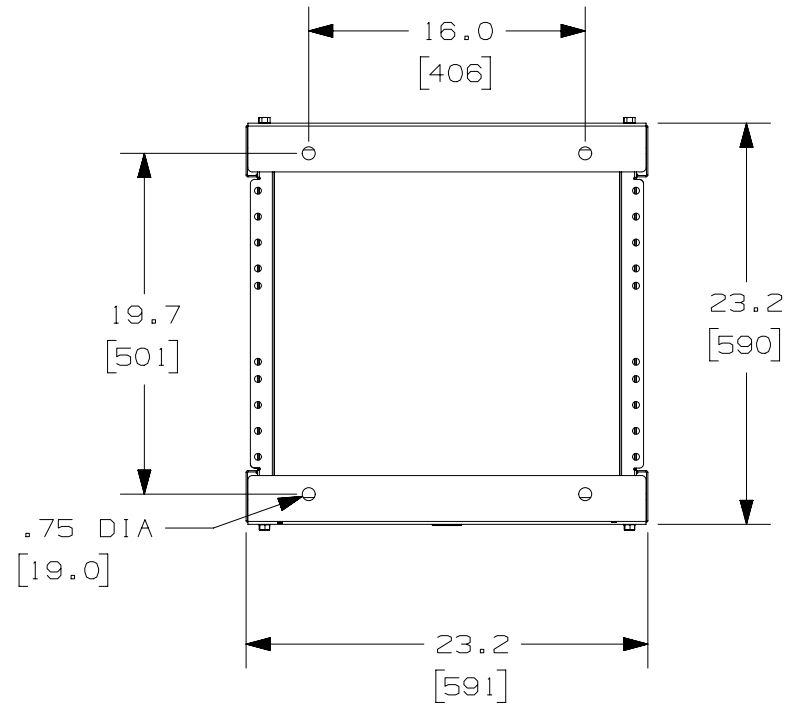
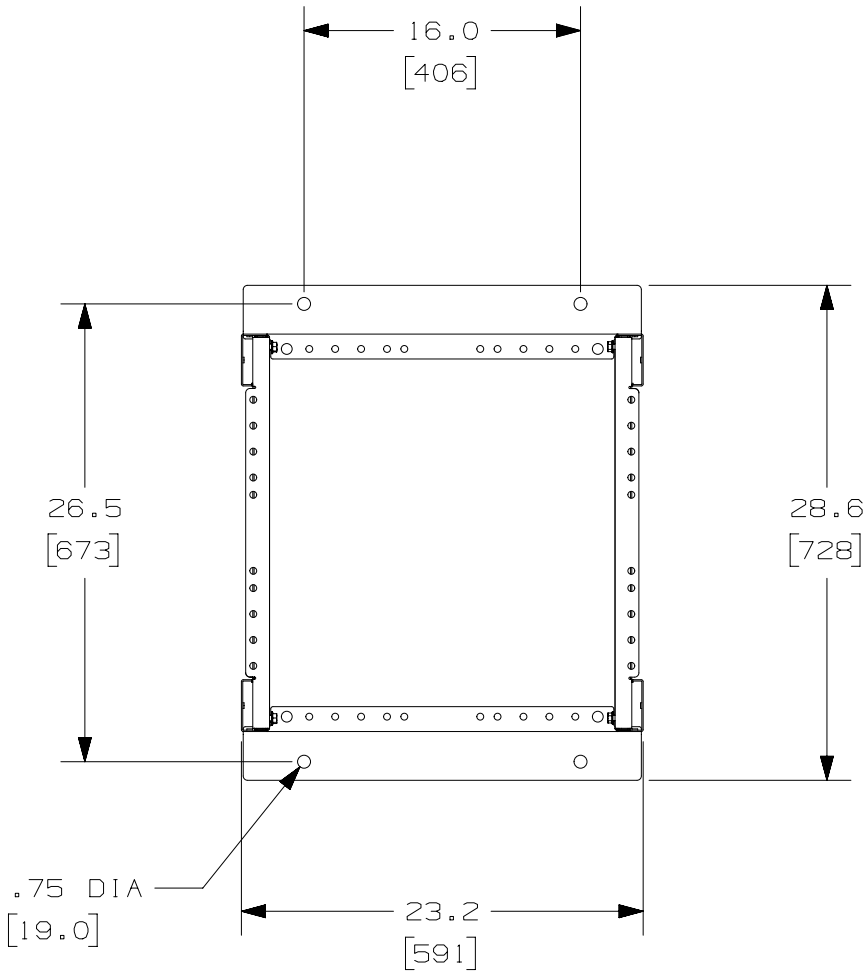
NOTES:

- VISIT OUR ON-LINE CATALOG AT WWW.PANDUIT.COM FOR A LIST OF CURRENT PARTS APPLICABLE FOR USE WITH THIS PRODUCT.
- DIMENSIONS IN PARENTHESIS ARE METRIC.
- INDEPENDENT ADJUSTABLE FRONT & REAR MOUNTING RAILS (EIA) ADJUST FROM 3.25" TO 23" DEPTH.
- CAN BE USED WITH ANY EIA STANDARD COMPONENT IN ADDITION TO ALL PANDUIT HORIZONTAL CABLE MANAGEMENT AND PATCH PANEL PRODUCTS.
- 52 AVAILABLE RACK SPACES.
- EIA UNIVERSAL STANDARD HOLE PROGRESSION ON FRONT CHANNELS AND REAR MOUNT RAILS .625", .625", .500", .625", .625", .500"...ETC.
- ALL RACKS WILL HAVE NUMBERS UP ORIENTATION (RU "01" ON BOTTOM, RU "52" ON TOP). INSTRUCTIONS WILL BE PROVIDED ON HOW TO GET NUMBERS DOWN ORIENTATION.
- RU SPACING NUMBERS ARE CLEARLY PRINTED ON MOUNTING RAILS.
- ALL ASSEMBLY HARDWARE INCLUDED:
 - (16) 3/8-16 X 1" BLACK HEX BOLT
 - (16) 3/8" PAINT PIERCING GROUNDING WASHER
 - (1) TUBE OF ANTI-OXIDIZING PASTE
 - (25) 12-24 X .5" SLOTTED PAN HEAD STEEL SCREW
 - (25) #12-24 CAGE NUTS (ONLY PROVIDED FOR R4P23CN96)
- EASY ASSEMBLY, ONE WRENCH NEEDED TO INSTALL BOLTS INTO WELDNUTS IN ALL 8 CORNERS.
- FULLY BONDED STRUCTURE WHEN ASSEMBLED PER INSTRUCTIONS.
- LOAD RATING - 2500 LBS.

TITLE		8 FOOT 23" DEEP 4 POST RACK (R4P2396/R4P23CN96)	
		CUSTOMER DRAWING	
ITEM REVISION NAME		V10679ZJ/02	
DATASET FILE NAME		V10679ZJ_DC/02A	
UNLESS OTHERWISE SPECIFIED, DIMENSIONAL TOLERANCES ARE:		MATERIAL:	
INCHES	METRIC - MILLIMETER	PANDUIT STEEL	
X.X +/- 0.03	X +/- 0.8		
X.XX +/- 0.018	X.X +/- 0.46		
X.XXX +/- 0.007	X.XX +/- 0.18		
DRAWING NUMBER:		V10679ZJ-DC	
DRAWN BY		SCALE	
BAME		NONE	
DATE		SHT 1 OF 3	
7-2-09		A	
CHK		SIZE	
DSI		A	
THIRD ANGLE PROJECTION			

REV	DATE	BY	CHK	APR	DESCRIPTION	ECN
02A	7-19-09	AMF	BAME	KRKE	ADDED NOTE TO PAGE 3	M09000EF
01A	10-9-09	BAME			ADJUSTED LOAD RATING HEIGHT WAS 96.00	V10679ZJ-DC
00A	7-2-09	BAME	DSI		RELEASED TO PRODUCTION	V10679ZJ-DC

THIS COPY IS PROVIDED ON A RESTRICTED BASIS AND IS NOT TO BE USED IN ANY WAY DETRIMENTAL TO THE INTERESTS OF PANDUIT CORP.



FLOOR FOOTPRINT WITH
BASE ANGLES TURNED
OUTWARD FOR EXTENDED
FOOTPRINT

**8 FOOT 23" DEEP 4 POST RACK
(R4P2396/R4P23CN96)**

CUSTOMER DRAWING

TITLE		8 FOOT 23" DEEP 4 POST RACK (R4P2396/R4P23CN96)	
ITEM REVISION NAME		V10679ZJ/02	
DATASET FILE NAME		V10679ZJ_DC/02A	
UNLESS OTHERWISE SPECIFIED, DIMENSIONAL TOLERANCES ARE:		MATERIAL:	
INCHES	METRIC - MILLIMETER	STEEL	
X.X +/- 0.03	X +/- 0.8	DRAWING NUMBER:	
X.XX +/- 0.018	X.X +/- 0.46	V10679ZJ-DC	
X.XXX +/- 0.007	X.XX +/- 0.18	THIRD ANGLE PROJECTION	
DRAWN BY		CHK	SCALE
BAME		DSI	NONE
DATE	7-2-09	SHT 2 OF 3	SIZE
DESCRIPTION		A	

REV	DATE	BY	CHK	APR	DESCRIPTION	ECN
02A	7-19-16	AMF	BAME	KRKE	SEE SHEET 1 OF 3 FOR REVISIONS	M09000EF
01A	10-9-09	BAME			SEE SHEET 1 OF 3 FOR REVISIONS	V10679ZJ-DC
00A	7-2-09	BAME	DSI		SEE SHEET 1 OF 3 FOR REVISIONS	V10679ZJ-DC

THIS COPY IS PROVIDED ON A RESTRICTED BASIS AND IS NOT TO BE USED IN ANY WAY DETRIMENTAL TO THE INTERESTS OF PANDUIT CORP.

J-HOOKS UP TO 3/8" DIA. MAY BE MOUNTED TO THE RACK FROM THE FRONT OF THE TOP ANGLES.

BONUS HOLES ARE FOR MOUNTING PANDUIT ACCESSORIES. SEE NOTE 1.

MOUNTING HOLES FOR OPTIONAL POWER STRIP BRACKET. BRACKETS CAN BE MOUNTED ON ANY OF THE 4 POSTS OR ADJUSTABLE RAILS.

OPTIONAL POST HOLES FOR BRACKET MOUNTING NETRUNNER

MASKED AREA FOR GROUNDING, TOP & BOTTOM OF RACK. 4 PLACES

BASE ANGLES (SEE SHEET 2 FOR MOUNTING POSITIONS)

"J" BOLT MOUNTING HOLES FOR SECURING LADDER RACK PERPENDICULAR AND PARALLEL TO 4 POST RACK.

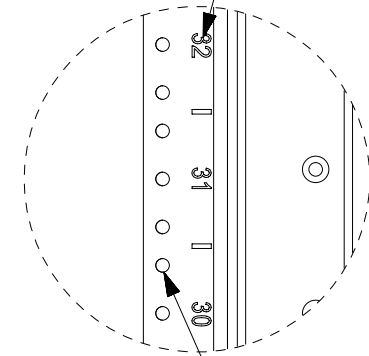
MOUNTING RAILS (ADJUSTABLE FROM 3.25" TO 23")

CUTOUTS ARE FOR MOUNTING PANDUIT ACCESSORIES SEE NOTE 1.

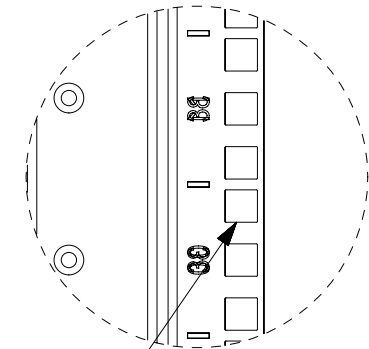
CROSS BEAMS ARE MARKED EVERY 1/2" FOR MOUNTING RAIL ALIGNMENT

MOUNTING HOLES FOR VERTICAL MANAGERS. DOUBLE HOLES ARE FOR MOUNTING PATCHRUNNER. SINGLE HOLES ARE FOR SIDE MOUNTING NETRUNNER.

RU SPACINGS ARE PRINTED ON MOUNTING RAILS



R4P2396 RAILS HAVE TAPPED HOLES



R4P23CN96 RAILS HAVE CAGE NUT HOLES

REV	DATE	BY	CHK	APR	DESCRIPTION	ECN
02A	7-19-16	AMF	BAME	KRKE	SEE SHEET 1 OF 3 FOR REVISIONS	M09000EF
01A	10-9-09	BAME			SEE SHEET 1 OF 3 FOR REVISIONS	V10679ZJ-DC
00A	7-2-09	BAME	DSI		SEE SHEET 1 OF 3 FOR REVISIONS	V10679ZJ-DC

TITLE						8 FOOT 23" DEEP 4 POST RACK (R4P2396/R4P23CN96)		
CUSTOMER DRAWING								
ITEM REVISION NAME						V10679ZJ/02		
DATASET FILE NAME						V10679ZJ_DC/02A		
UNLESS OTHERWISE SPECIFIED, DIMENSIONAL TOLERANCES ARE:						MATERIAL:		
INCHES		METRIC - MILLIMETER		ANGLE		STEEL		
X.X	+/- 0.03	X.	+/- 0.8					
X.XX	+/- 0.018	X.X	+/- 0.46		+/- 1°			
X.XXX	+/- 0.007	X.XX	+/- 0.18					
				THIRD ANGLE PROJECTION		DRAWING NUMBER: V10679ZJ-DC		
DRAWN BY	DATE	CHK	SCALE			SHT 3 OF 3		SIZE
BAME	7-2-09	DSI	NONE					A