



Product designation				Power contactor
Product type designation				BF38
<b>Contact characteristics</b>				
Number of poles	Nr.			4
Rated insulation voltage U <sub>i</sub> IEC/EN	V			690
Rated impulse withstand voltage U <sub>imp</sub>	kV			6
Operational frequency	min	Hz		25
	max	Hz		400
IEC Conventional free air thermal current I <sub>th</sub>	A			56
Operational current I <sub>e</sub>	AC-1 (≤40°C)	A		56
	AC-1 (≤40°C) with 16mm <sup>2</sup> wire and fork end lug	A		60
	AC-1 (≤55°C)	A		45
	AC-1 (≤55°C) with 16mm <sup>2</sup> wire and fork end lug	A		48
	AC-1 (≤70°C)	A		40
	AC-1 (≤70°C) with 16mm <sup>2</sup> wire and fork end lug	A		42
	AC-3 (≤440V ≤55°C)	A		38
Rated operational power AC-1 (T≤40°C)	AC-4 (400V)	A		15.5
	230V	kW		21
	400V	kW		36
	500V	kW		45
	690V	kW		62
Short-time allowable current for 10s (IEC/EN60947-1)	A			320
Protection fuse	gG (IEC)	A		63
	aM (IEC)	A		40
Making capacity (RMS value)	A			380
Breaking capacity at voltage	440V	A		304
	500V	A		240
	690V	A		192
Resistance per pole (average value)		mΩ		2
Power dissipation per pole (average value)	I <sub>th</sub>	W		6
	AC-3	W		2.9
Tightening torque for terminals	min	Nm		2.5
	max	Nm		3
	min	I <sub>bin</sub>		1.8
	max	I <sub>bin</sub>		2.2
Tightening torque for coil terminal	min	Nm		0.8
	max	Nm		1

	min	I <sub>bin</sub>	0.8
	max	I <sub>bin</sub>	0.74
Max number of wires simultaneously connectable		Nr.	2
Conductor section			
AWG/Kcmil			
	max		6
Flexible w/o lug conductor section			
	min	mm <sup>2</sup>	2.5
	max	mm <sup>2</sup>	16
Flexible c/w lug conductor section			
	min	mm <sup>2</sup>	1
	max	mm <sup>2</sup>	10
Flexible with insulated spade lug conductor section			
	min	mm <sup>2</sup>	1
	max	mm <sup>2</sup>	10
Power terminal protection according to IEC/EN 60529			IP20 when properly wired
<b>Mechanical features</b>			
Operating position	normal allowable		Vertical plan ±30°
Fixing			Screw / DIN rail 35mm
Weight		g	522
Conductor section			
AWG/kcmil conductor section			
	max		6
<b>Operations</b>			
Mechanical life		cycles	20000000
Electrical life		cycles	1400000
<b>Safety related data</b>			
Performance level B10d according to EN/ISO 13489-1			
	rated load	cycles	1400000
	mechanical load	cycles	20000000
Mirror contacts according to IEC/EN 60947-4-1			YES
EMC compatibility			yes
<b>AC coil operating</b>			
Rated AC voltage at 60Hz		V	575
AC operating voltage			
of 60Hz coil powered at 60Hz			
pick-up	min	%Us	80
	max	%Us	110
drop-out	min	%Us	20
	max	%Us	55
AC average coil consumption at 20°C			
of 60Hz coil powered at 60Hz			
	in-rush	VA	75
	holding	VA	9
Dissipation at holding ≤20°C 50Hz		W	2.5
<b>Max cycles frequency</b>			
Mechanical operation		cycles/h	3600
<b>Operating times</b>			

Average time for Us control  
in AC

Closing NO	min	ms	8
	max	ms	24
Opening NO	min	ms	5
	max	ms	15
Closing NC	min	ms	11
	max	ms	29
Opening NC	min	ms	6
	max	ms	14

**UL technical data**

Full-load current (FLA) for three-phase AC motor

at 480V	A	40
at 600V	A	32

Yielded mechanical performance

for single-phase AC motor

110/120V	HP	3
230V	HP	7.5

for three-phase AC motor

200/208V	HP	10
220/230V	HP	15
460/480V	HP	30
575/600V	HP	30

General USE

Contactor

AC current	A	55
------------	---	----

**Ambient conditions**

Temperature

Operating temperature

min	°C	-50
max	°C	70

Storage temperature

min	°C	-60
max	°C	80

Max altitude

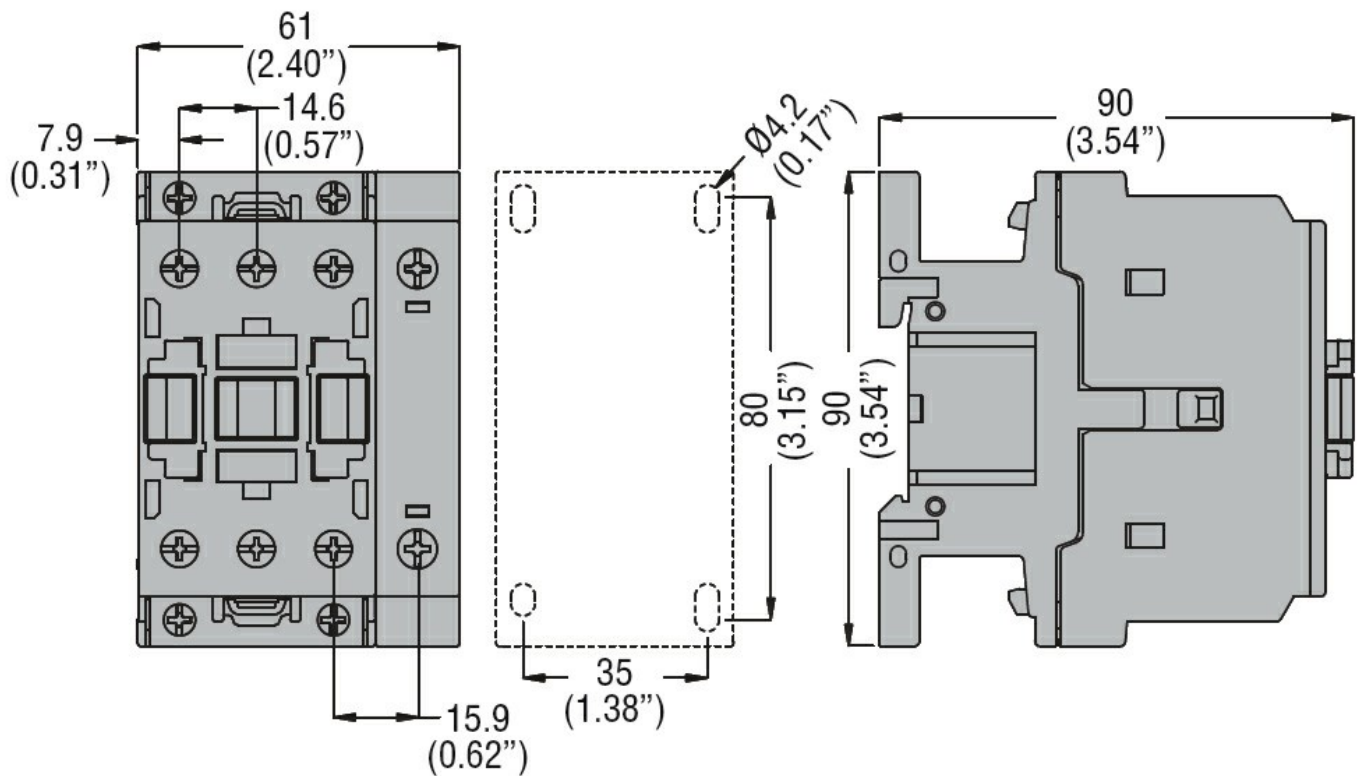
m	3000
---	------

**Resistance & Protection**

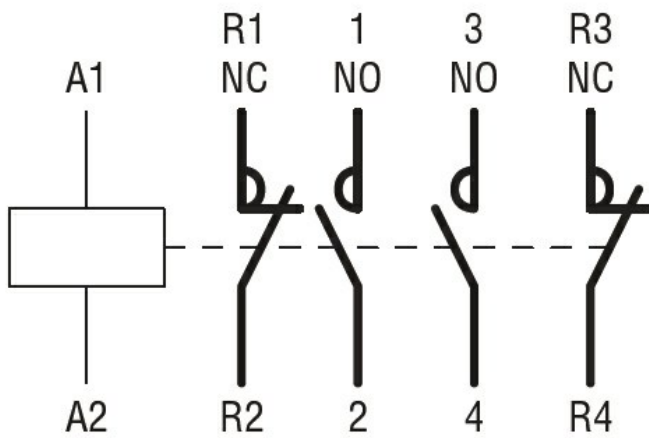
Pollution degree

3

**Dimensions**



### Wiring diagrams



### Certifications and compliance

#### Compliance

CSA C22.2 n° 60947-1  
CSA C22.2 n° 60947-4-1  
IEC/EN/BS 60947-1  
IEC/EN/BS 60947-4-1  
UL 60947-1  
UL 60947-4-1

#### Certificates

CCC  
cULus  
EAC

### ETIM classification

ETIM 8.0

EC000066 -  
Power contactor,  
AC switching