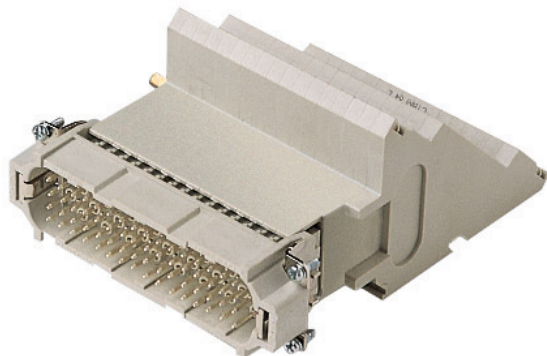



Part number

# CTM 64 R



Male insert, CT series, screw terminal connection, 64 poles + PE, 10 A 250 V 4 kV 3, size "104.27", with incorporated terminal block, right side mounting

## Product description

|                        |  |
|------------------------|--|
| <b>Product type</b>    | Insert   |
| <b>Series</b>          | CT   |
| <b>Connection type</b> | Screw terminal connection  |
| <b>Gender</b>          | Male   |
| <b>N. of poles</b>     | 64 poles +  |
| <b>Size</b>            | Size 104.27  |
| <b>Specification</b>   | Right side mounting<br>With incorporated terminal block                                      |

## Technical data

|  |  |
|--|--|
| <b>Current</b>                           | 10 A   |
| <b>Voltage</b>                           | 250 V  |
| <b>Rated impulse withstand voltage</b>   | 4 kV   |
| <b>Pollution degree</b>                  | 3  |
| <b>Rated voltage according to UL/CSA</b> | 600 V  |
| <b>Wire cross-section</b>                | 0,75 mm <sup>2</sup> - 2,50 mm <sup>2</sup>      |
| <b>AWG size</b>                          | 18 - 14  |
| <b>Contact type</b>                      | Turned silver plated                             |
| <b>IP degree of protection</b>           | IP20 without enclosure, IP66/IP69 with enclosure |

## Further technical details

|   |  |
|---|--|
| <b>Characteristics according to EN 61984</b>  | 10A 250V 4kV 3; 10A 230/400V 4kV 2         |
| <b>Mating cycles</b>                          | ≥ 500                                      |
| <b>Insulation resistance</b>                  | ≥ 10 GΩ                                    |
| <b>Contact resistance</b>                     | ≤ 4 mΩ                                     |
| <b>Weight</b>                                 | 544,00 g                                   |
| <b>Operating temperature range (min, max)</b> | -40 °C ... +125 °C                         |
| <b>Conductors stripping length</b>            | 12 mm                                      |
| <b>UL 94 flammability rating</b>              | V-0  |
| <b>Torque for main contact</b>                | M2,6: 0,4 Nm; 3,5 lb.in (0,5 x 3 mm)       |
| <b>Tightening torque for PE connection</b>    | M4: 1,2 Nm, 10,6 lb.in (Ph2 or 1,0x5,5mm ) |
| <b>Tightening torque for fixing screws</b>    | M3: 0.5 Nm; 4.4 lb.in (Ph1 or 0.8x4 mm)    |

## Material properties

|                              |  |
|------------------------------|--|
| <b>Main material</b>         | Polycarbonate (PC)   |
| <b>Other materials</b>       | Contacts: copper alloy   |
| <b>Colour</b>                | RAL 7032 grey  |
| <b>RoHs conformity</b>       | Compliant with exemption 6(c): copper alloy containing up to 4% lead by weight |
| <b>China RoHs - EFUP</b>     | 50   |
| <b>REACH SVHC substances</b> | Yes<br>Lead  |
| <b>SCIP number</b>           | 1a9c93ff-0445-4a16-81e3-1609ac5274d6   |

## Approvals / Standards

|                           |                        |
|---------------------------|------------------------|
| <b>Reference standard</b> | EN 61984:2009-06       |
| <b>Certifications</b>     | CSA, CQC, DNV, BV, EAC |
| <b>UL</b>                 | ECBT2                  |

## General ordering information

|                   |               |
|-------------------|---------------|
| <b>EAN13 code</b> | 8015747041461 |
| <b>eCl@ss 8.1</b> | 27440205      |
| <b>ETIM 7.0</b>   | EC000438      |

## Packaging Information

|                                  |                      |
|----------------------------------|----------------------|
| <b>Sub-packaging length</b>      | 145,00 mm            |
| <b>Sub-packaging height</b>      | 89,00 mm             |
| <b>Sub-packaging width</b>       | 120,00 mm            |
| <b>Sub-packaging weight</b>      | 0,54 kg              |
| <b>Sub-packaging volume</b>      | 1,55 dm <sup>3</sup> |
| <b>Sub-packaging description</b> | Carton box           |
| <b>Sub-packaging quantity</b>    | 1 Pcs                |
| <b>Sub-packaging EAN barcode</b> | 8015747041478        |

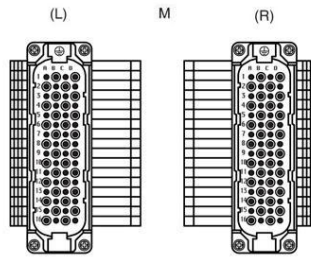
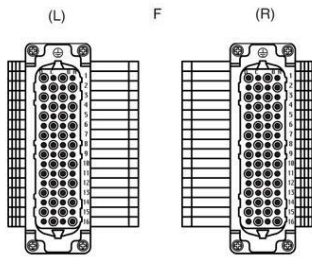
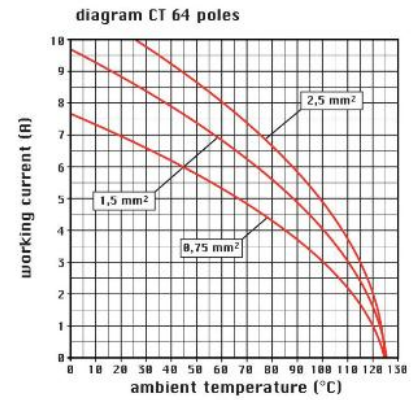
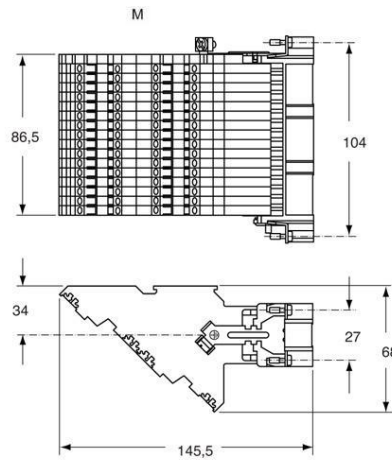
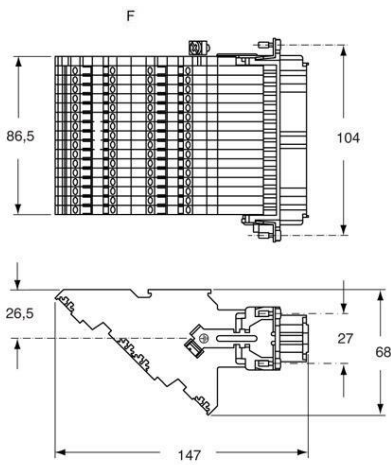
Part number

# CTM 64 R



Catalogue drawings

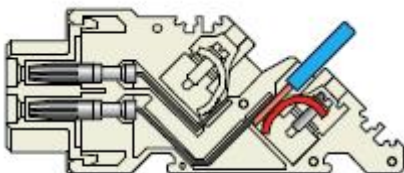
Catalogue drawings



## Notes

Dimensions shown in mm are not binding and may be changed without notice.

CT ... : for non-prepared conductors



### California Proposition 65 Information



**WARNING**

This product can expose you to lead and its compounds, known to the State of California to cause cancer and/or reproductive toxicity. For more information go to [www.P65Warnings.ca.gov](http://www.P65Warnings.ca.gov).

## California Proposition 65 Information



### WARNING

This product can expose you to lead and its compounds, known to the State of California to cause cancer and/or reproductive toxicity. For more information go to [www.P65Warnings.ca.gov](http://www.P65Warnings.ca.gov).

---