

Part number

MAP 24 CS32



Surface mounting housing, C-TYPE series, with 4 pegs, M32 cable entry, size "104.27", high construction, with metal cover

Product description

| | |
|----------------------|-------------------------------------|
| Product type | Surface mounting housing |
| Series | C-TYPE |
| Closing type | With 4 pegs |
| Size | Size 104.27 |
| Cable entry | With cable entry M32 |
| Specification | High construction, with metal cover |

Technical data

| | |
|--------------------------------|------|
| IP degree of protection | IP65 |
|--------------------------------|------|

Further technical details

| | |
|---|----------------|
| Weight | 483,00 g |
| Operating temperature range (min, max) | -40°C...+125°C |

Material properties

| | |
|------------------------------|---------------|
| Other materials | Gasket: NBR |
| Colour | RAL 7040 grey |
| RoHs conformity | Compliant |
| China RoHs - EFUP | E |
| REACH SVHC substances | No |

Approvals / Standards

| | |
|-----------------------|---------|
| Certifications | DNV, BV |
| UL | ECBT2 |
| cUL | ECBT8 |

General ordering information

| | |
|-------------------|---------------|
| EAN13 code | 8015747051798 |
| eCl@ss 8.1 | 27440202 |
| ETIM 7.0 | EC000437 |

Packaging Information

| | |
|----------------------------------|-----------------------|
| Packaging length | 475,00 mm |
| Packaging height | 220,00 mm |
| Packaging width | 200,00 mm |
| Packaging weight | 5,44 kg |
| Packaging volume | 20,90 dm ³ |
| Packaging description | Carton box |
| Packaging quantity | 10 Pcs |
| Packaging EAN code | 8015747245029 |
| Sub-packaging weight | 2,72 kg |
| Sub-packaging description | Plastic packaging |
| Sub-packaging quantity | 5 Pcs |
| Sub-packaging EAN barcode | 8015747105965 |

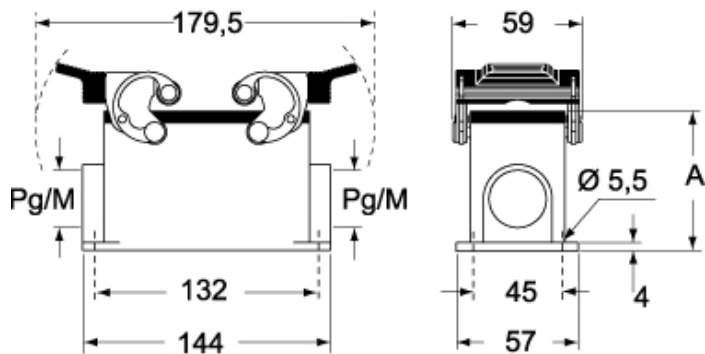
Part number

MAP 24 CS32

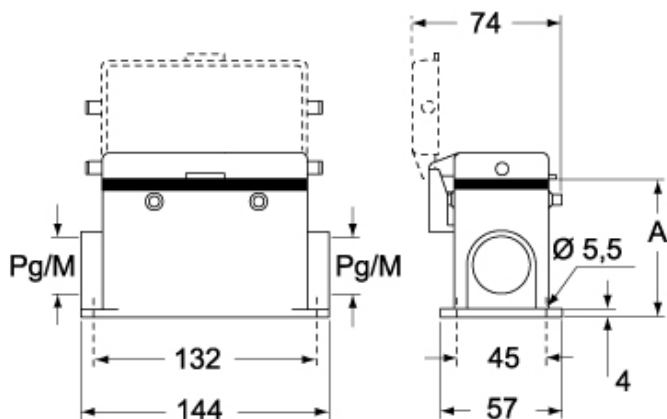


Catalogue drawings

CHP CAP - MHP MAP



CHP CS/CP CAP CS/CP - MHP CS/CP MAP CS/CP



| | A |
|------------------------|----------|
| CHP / MHP | 63 |
| CAP / MAP | 80 |
| CHP CS / MHP CS | 63 |
| CAP CS / MAP CS | 80 |
| CHP CP / MHP CP | 63 |
| CAP CP / MAP CP | 80 |

Notes

Dimensions shown in mm are not binding and may be changed without notice.