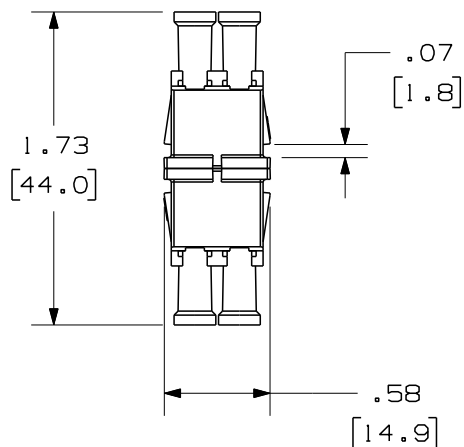


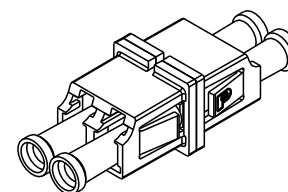
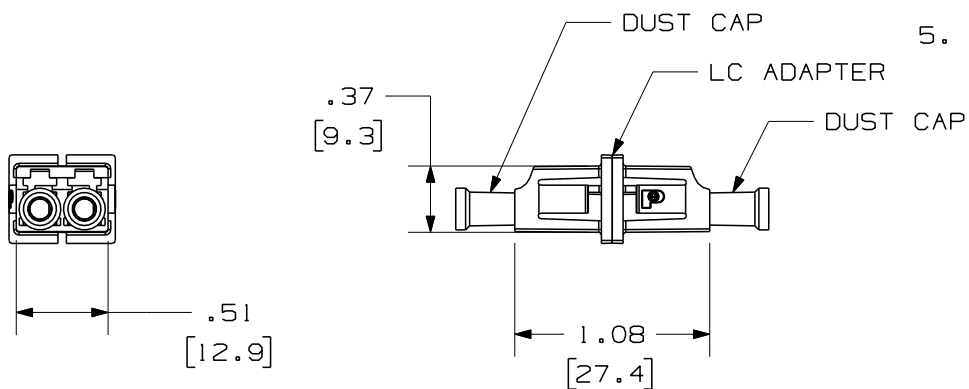
THIS COPY IS PROVIDED ON A RESTRICTED BASIS AND IS NOT TO BE USED IN ANY WAY DETRIMENTAL TO THE INTERESTS OF PANDUIT CORP.



PANDUIT P/N	WEIGHT	MODE	SPLIT SLEEVE TYPE
FADSLCAQ-L	.29 lbs/50 Pcs	MULTIMODE	PHOS BRONZE
FADSLCEI-L	[132.0 g/50 Pcs]		
FADSLCZAQ-L	.29 lbs/50 Pcs	SINGLEMODE	ZIRCONIA
FADSLCZBU-L	[130.0 g/50 Pcs]		

NOTES:

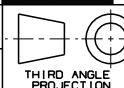
- SEE CURRENT CATALOG FOR PART NUMBER SUFFIXES TO INDICATE COLOR AND/OR PACKAGE QUANTITIES.
- SEE CATALOG FOR COMPLETE LIST OF PARTS APPLICABLE FOR USE WITH THIS PART.
- MATERIALS:
 - ADAPTER HOUSING: PLASTIC
 - SPLIT SLEEVE: SEE TABLE
 - DUST CAP: PLASTIC
- COMPLIANT WITH TIA/EIA-604-10 (FOCIS-10) AND TIA/EIA-568B.3
- DIMENSIONS IN BRACKETS ARE METRIC [mm]



LC SENIOR/SENIOR MINI DUPLEX
FIBER OPTIC ADAPTER
CUSTOMER DRAWING



PANDUIT™
CORP.
TINLEY PARK, ILL 60477



ALL DIMENSIONS ARE GIVEN IN INCHES, UNLESS OTHERWISE SPECIFIED.
DIMENSIONAL TOLERANCES ARE:
(.X) (.XXX) ± .010 (0.3)
(.XX) ± .03 (0.8) ANGLES

DRAWING FILENAME
M00948A1_DC_00C.prt
SCALE
NONE

DRAWN BY
MC

REVIEW DRAWING NUMBERS

PART NO.
SEE TABLE

DATE
06-25-03

SEE NOTES

DRAWING NO.
00948-19

CHK'D
RFM

SIZE
A

REV	DATE	BY	CHK	DESCRIPTION	ECN	R	CUST	SUP	OTH
2	03-11-05	MC		RELEASED TO PRODUCTION	00948-19				