



Product designation		Micro PLC - Base module
Product type designation		LRD20RD024
Auxiliary supply voltage		24VDC
Number of inputs	Nr.	8 digital + 4 digital/analog
Number of outputs	Nr.	8 relay
Max I/O number		20 (12 inputs + 8 outputs) up to 44 with LRE modules

**Power supply**

Rated auxil. supply voltage		24VDC
Operating voltage range		20.4...28.8VDC
Average current consumption	mA	185
Power consumption Max	W	5

**Digital inputs**

Number of digital input	Nr.	8 + 4 digital/analog
Rated voltage	V	24VDC
Input signals	State 0 (OFF) State 1 (ON)	<5VDC >15VDC
Response time	0 to 1 (OFF-ON) 1 to 0 (ON-OFF)	4ms (0.5ms for high speed) 4ms (0.3ms for high speed)

**Analog inputs**

Number of analog input	Nr.	4 digital/analog
Analog input type		Voltage inputs
Inputs signal range	V	0...10
Resolution		0.01V
Bit of conversion	bit	8
Current consumption at	10VDC	mA <0.17mA
Input impedance		kΩ >40
Admissible overload	VDC	28
Sampling time	ms	5...20ms(LADDER), 2...10ms (FBD)
Maximum cable length	m / ft	≤30m/98ft (shielded wire)

**Digital outputs**

Number of digital output type	Nr.	8 Relay
-------------------------------	-----	---------

**System resources**

Display	LCD display, 4 lines x 16 characters
---------	--------------------------------------

**Connections**

Terminals type	Screw
----------------	-------

Tightening torque for terminals	max	Nm	0.6
	Max	lbft	0.4

Conductor section	AWG/Kcmil	min	26
		max	14

IEC	min	mm <sup>2</sup>	0.14
	max	mm <sup>2</sup>	2.5

**Ambient conditions**

Temperature	Operating temperature	min	°C	-20
		max	°C	+55

Storage temperature	min	°C	-40
	max	°C	+70

Relative humidity	%	20...90% without condensation
-------------------	---	-------------------------------

**Housing**

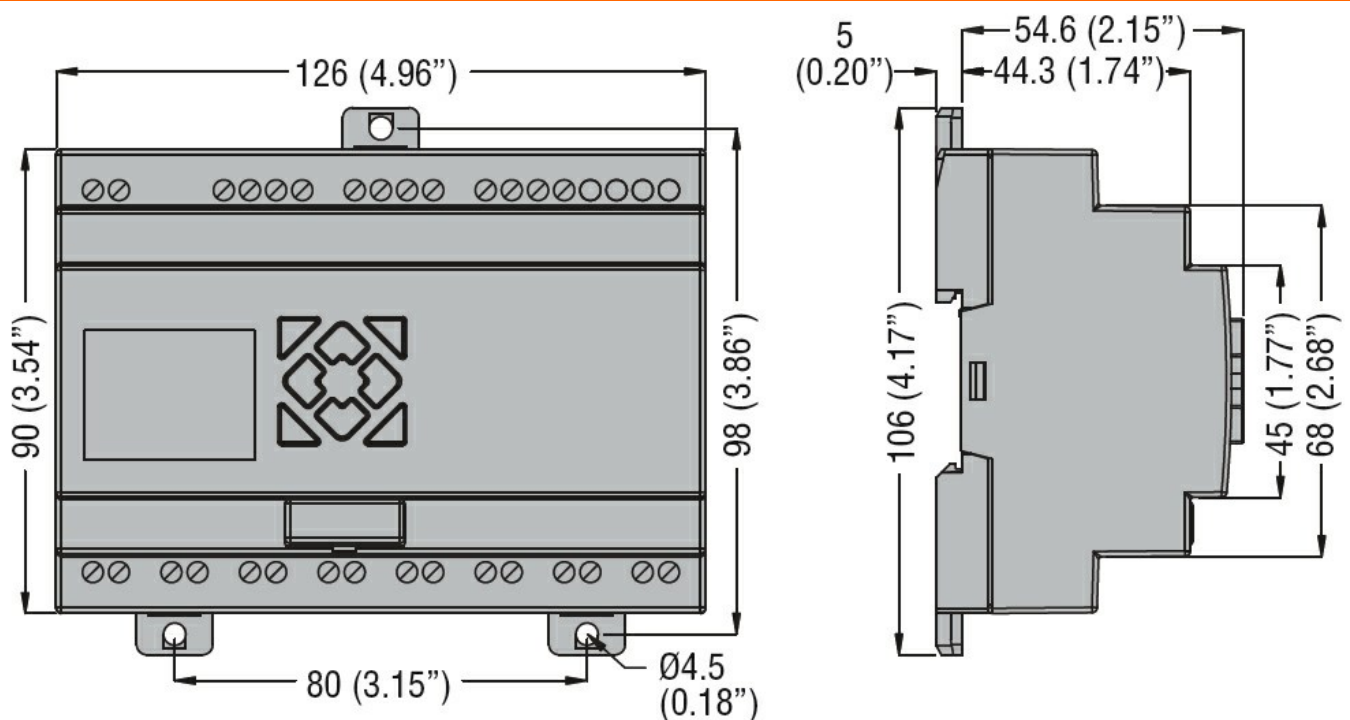
Mounting	35mm DIN rail or screw fixing (M4x20mm)
----------	---

Degree of protection	IP20
----------------------	------

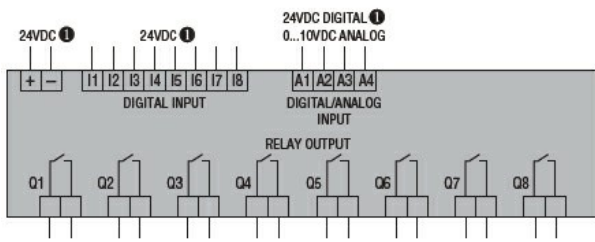
Dimensions (W x H x D)	mm	126 x 106 x 59.6
------------------------	----	------------------

Weight	g	360
--------	---	-----

**Dimensions**



**Wiring diagrams**



① 12VDC for LRD20R D012.

**Certifications and compliance**

Compliance

CSA C22.2 n° 142

IEC/EN 61131-2

UL508

Certificates

cULus

EAC

**ETIM classification**

ETIM 8.0

EC001417 -  
Logic module