

Part number

CRQ 16



Semi-cable gland, Pg16, for diameter 10-14,5 mm, for CQ 08 VA enclosure

Product description

Product type	Semi-cable gland
Cable entry	Pg16
Specification	For diameter 10-14,5 mm For CQ 08 VA enclosure

Further technical details

Weight	4,60 g
Operating temperature range (min, max)	-40°C ... +125°C

Material properties

Main material	Polyamide (PA)
Other materials	Gasket: NBR
Colour	RAL 9005 black

General ordering information

EAN13 code	8015747115681
-------------------	---------------

Packaging Information

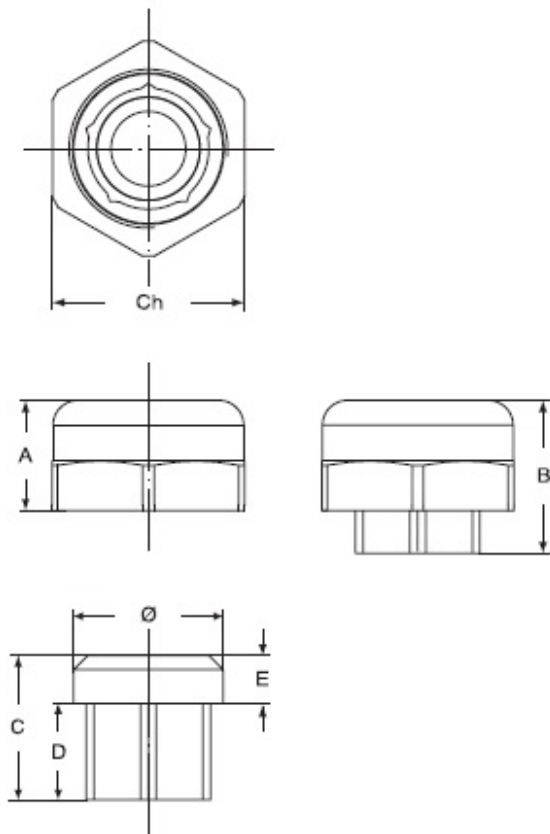
Packaging length	180,00 mm
Packaging height	120,00 mm
Packaging width	155,00 mm
Packaging weight	0,48 kg
Packaging volume	3,35 dm ³
Packaging description	Carton box
Packaging quantity	50 Pcs
Packaging EAN code	8015747184816
Sub-packaging weight	0,05 kg
Sub-packaging description	Plastic bag
Sub-packaging quantity	5 Pcs
Sub-packaging EAN barcode	8015747115698

Part number

CRQ 16



Catalogue drawings



part No.	A	B	C	D	E	Ø	Ch
CRQ 16	15,5	21,5	20,25	13,5	6,75	21	27
CRQ 21	18,2	27,5	25	15,5	9	26,5	33

Notes

Dimensions shown in mm are not binding and may be changed without notice.