

Part number

CZAP 25 L2



Surface mounting housing, IL-BRID series, with 1 lever, Pg16 x 2 cable entry, size "66.16", high construction

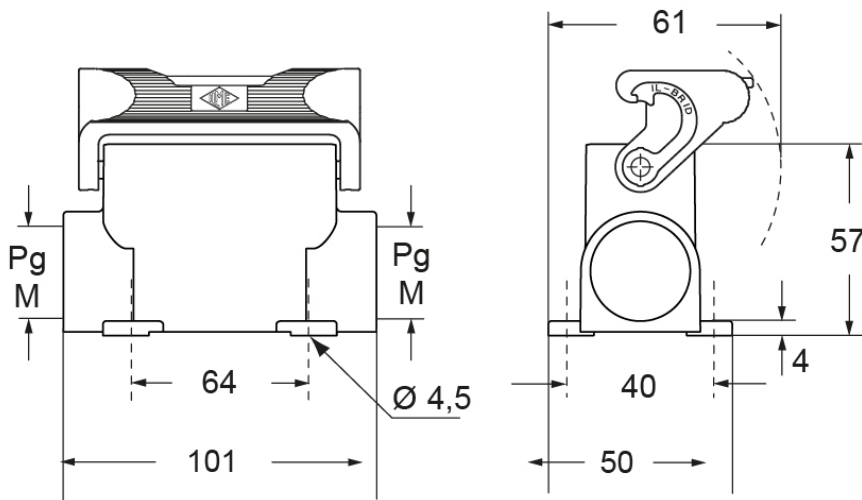
Product description		Material properties	
Product type	Surface mounting housing	Other materials	Lever: Polyamide (PA) and Stainless steel core
Series	IL-BRID	Colour	RAL 7040 grey
Closing type	With 1 lever	RoHs conformity	Compliant
Size	Size 66.16	China RoHs - EFUP	E
Cable entry	With cable entry Pg16 x 2	REACH SVHC substances	No
Specification	High construction	Approvals / Standards	
Technical data		UL	ECBT2
IP degree of protection	IP65 / IP66 / IP69	cUL	ECBT8
Further technical details		General ordering information	
Weight	180,00 g	EAN13 code	8015747043359
Operating temperature range (min, max)	-40°C...+125°C	Packaging Information	
		Sub-packaging length	325,00 mm
		Sub-packaging height	125,00 mm
		Sub-packaging width	125,00 mm
		Sub-packaging weight	1,80 kg
		Sub-packaging volume	5,08 dm ³
		Sub-packaging description	Carton box
		Sub-packaging quantity	10 Pcs
		Sub-packaging EAN barcode	8015747043366

Part number

CZAP 25 L2



Derating curves



Notes

Dimensions shown in mm are not binding and may be changed without notice.