


22260993	<b>DATA SHEET</b>	
Valid from: 12.09.2019	<b>AB-C3-M8MS-F0,25</b>	

## Product description

Sensor/actuator connector, straight plug M8, 3-pos., fast connection system, metal knurl, max. cable diameter 5.0 mm



## General properties

Ambient temperature	-25 to +80 °C (-13 to +176 °F)
Protection degree	IP65/IP67
Number of contacts	3
Coding	A
Outer diameter, cable	2.5 – 5.0 mm
Outer diameter, wire	0.75 – 1.5 mm
Termination type	insulation displacement connection (IDC)
Termination cross section, AWG	28 – 24
Termination cross section, mm <sup>2</sup>	0.08 – 0,25
Mating cycles	100

## Electrical properties

Rated voltage	60 V
Contact resistance	≤ 5 mΩ
Insulation resistance	≥ 100 MΩ
Proof voltage, contact-contact	≥ 1.00 kV
Proof voltage, contact-housing	≥ 0.85 kV
Rated current	4 A
Overvoltage category	II
Pollution degree	3


## Materials

Contact carrier	TPU
Contact carrier, inflammability class acc. to UL 94	V0
Contacts, base material	CuSn
Contacts, surface	Ni/Au
Knurl	Brass, Ni plated
Grip body	PA

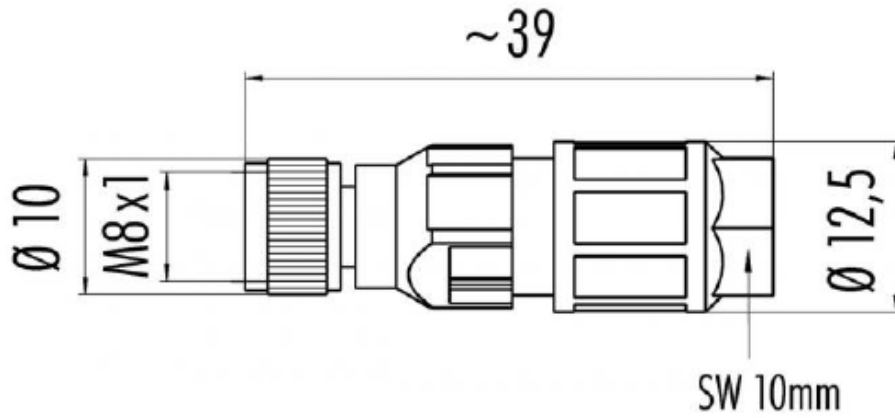
## Standards

Product standard	M8-Connector acc. to DIN EN 61076-2-104
------------------	---

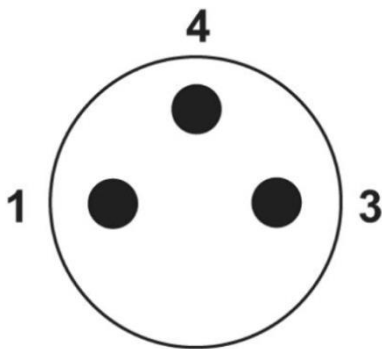
Creator: MANA2/PDP Released: IVSE1/PDP	Document: DB22260993EN Version: 03	Page 1 of 2
---	---------------------------------------	-------------

22260993	<b>DATA SHEET</b>	
Valid from: 12.09.2019	AB-C3-M8MS-F0,25	

### Drawings



### Pin assignment



### Note

Photographs are not true to scale and do not represent detailed images of the respective products.

Creator: MANA2/PDP Released: IVSE1/PDP	Document: DB22260993EN Version: 03	Page 2 of 2
---	---------------------------------------	-------------