



CDB405-001

Connection Device Basic

4DPROCONNECTIVITY

SICK
Sensor Intelligence.



Ordering information

Type	Part no.
CDB405-001	1027093

Other models and accessories → www.sick.com/Connection_Device_Basic



Detailed technical data

Features

Brief description	Small connection module for 5-V hand-held scanners and ICR80x
Supported products	Mobile handheld scanners ICR80x
Cloning module support (CMC)	No
Supports display module (CMD)	No
Supports power supply module (CMP)	No
Supports fieldbus gateway (CMF)	No

Mechanics/electronics

Supply voltage	(18 V DC ... 30 V DC)
Power consumption	4 W
Housing	Polycarbonate
Housing color	Blue (RAL 5012)
Enclosure rating	IP65
Protection class	III
Weight	250 g
Dimensions (L x W x H)	124.2 mm x 113.1 mm x 53.9 mm
Scanner connection	15-pin D-Sub HD female connector
Service plug	9-pin D-Sub plug (internal)

Interfaces

Serial	✓, RS-232, RS-422, RS-485
	Remark: Depending on sensor connected
Digital inputs	Depending on sensor connected
Digital outputs	Depending on sensor connected
Optical indicators	6 LED
Configuration software	SOPAS ET

Ambient data

Ambient operating temperature	0 °C ... +40 °C
--------------------------------------	-----------------

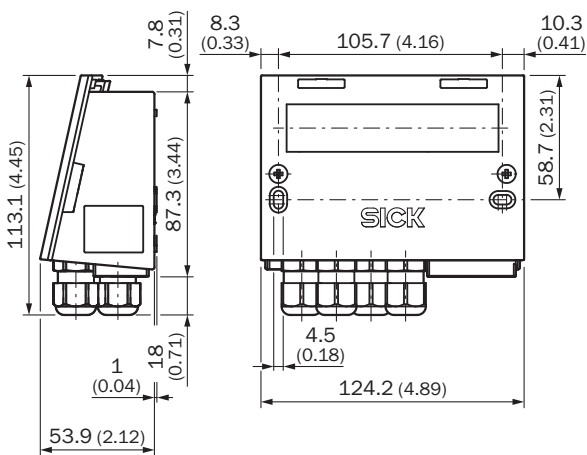
Storage temperature	-20 °C ... +70 °C
Permissible relative humidity	≤ 90 %, Non-condensing

Classifications

eCl@ss 5.0	27242208
eCl@ss 5.1.4	27242608
eCl@ss 6.0	27242608
eCl@ss 6.2	27242608
eCl@ss 7.0	27242608
eCl@ss 8.0	27242608
eCl@ss 8.1	27242608
eCl@ss 9.0	27242608
eCl@ss 10.0	27242608
eCl@ss 11.0	27242608
eCl@ss 12.0	27242608
ETIM 5.0	EC001604
ETIM 6.0	EC001604
ETIM 7.0	EC001604
ETIM 8.0	EC001604
UNSPSC 16.0901	32151705


Dimensional drawing (Dimensions in mm (inch))

CDB620



Recommended accessories

Other models and accessories → www.sick.com/Connection_Device_Basic

	Brief description	Type	Part no.
Cloning module			
	External parameter memory for integration in CDB620/CDB650/CDM42x	CMC600-101	1042259

SICK AT A GLANCE

SICK is one of the leading manufacturers of intelligent sensors and sensor solutions for industrial applications. A unique range of products and services creates the perfect basis for controlling processes securely and efficiently, protecting individuals from accidents and preventing damage to the environment.

We have extensive experience in a wide range of industries and understand their processes and requirements. With intelligent sensors, we can deliver exactly what our customers need. In application centers in Europe, Asia and North America, system solutions are tested and optimized in accordance with customer specifications. All this makes us a reliable supplier and development partner.

Comprehensive services complete our offering: SICK LifeTime Services provide support throughout the machine life cycle and ensure safety and productivity.

For us, that is “Sensor Intelligence.”

WORLDWIDE PRESENCE:

Contacts and other locations –www.sick.com