

Part number
JCVP 10



Surface mounting housing, JEI®-V series, with 2 levers, Pg16 cable entry, size "57.27"

Product description

Product type	Surface mounting housing
Series	JEI®-V
Closing type	With 2 levers
Size	Size "57.27"
Cable entry	Pg16

Technical data

IP degree of protection	IP66 (and IP69 DIN 40050 - 9)
--------------------------------	-------------------------------

Further technical details

Weight	278,00 g
Operating temperature range (min, max)	-40°C...+125°C

Material properties

Colour	RAL 7040 grey
---------------	---------------

Approvals / Standards

Certifications	DNV-GL, BV
UL	ECBT2
cUL	ECBT8

General ordering information

EAN13 code	8015747137621
-------------------	---------------

Packaging Information

Packaging length	250,00 mm
Packaging height	145,00 mm
Packaging width	300,00 mm
Packaging weight	7,00 kg
Packaging volume	10,88 dm ³
Packaging description	Carton box
Packaging quantity	20 Pcs
Packaging EAN code	8015747144049
Sub-packaging weight	1,75 kg
Sub-packaging description	Plastic packaging
Sub-packaging quantity	5 Pcs
Sub-packaging EAN barcode	8015747140270

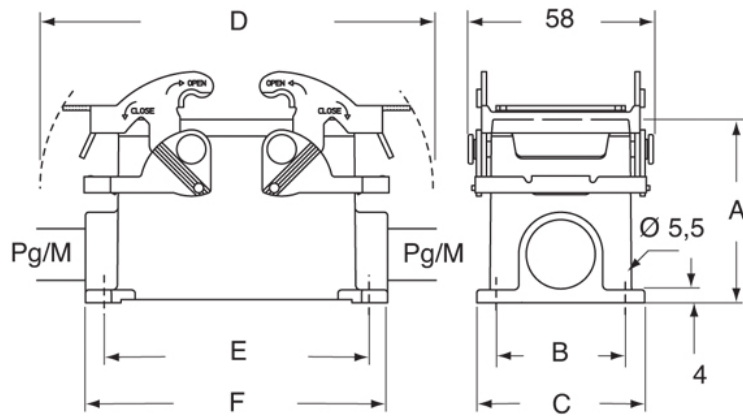
Part number

JCVP 10



Catalogue drawings

JCVP



	A	B	C	D	E	F
JCVP 10	57	40	52	122	82	93,5
JCVP 16	63	45	57	142,5	105	117
JCVP 24	63	45	57	169	132	144

Notes

Dimensions shown in mm are not binding and may be changed without notice.