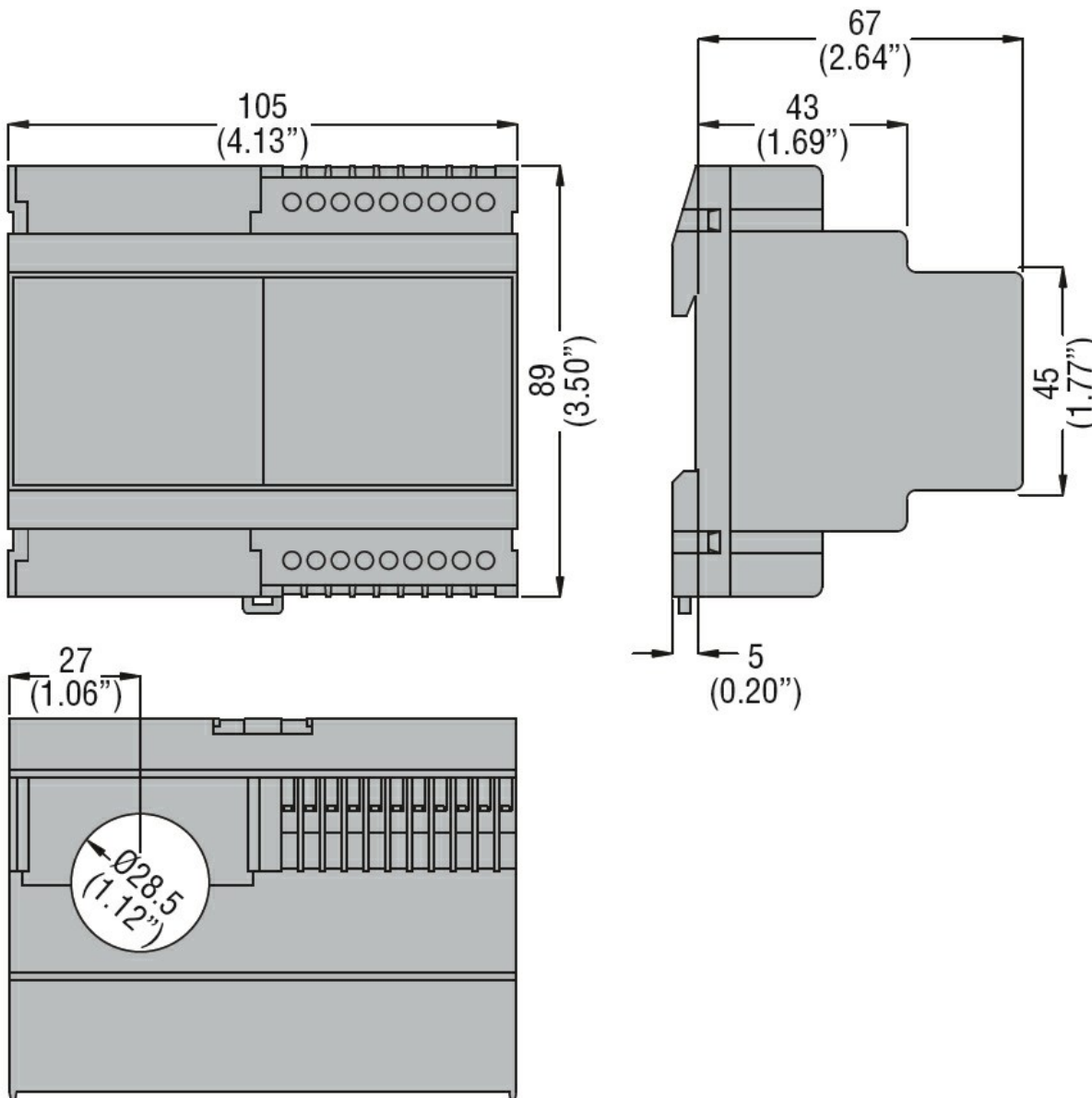


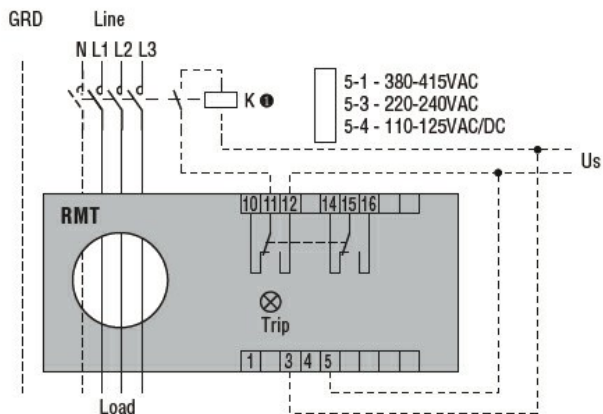


Product designation				Earth leakage relays
Product type designation				RMT
General characteristics				
Description				Modular with transparent cover, 1 operating threshold
N° of operating threshold				1
Control circuit				
Toroidal transformer				Incorporated diam. 28mm/1.1"
Adjustments				
	Tripping set-point ($I_{\Delta n}$)			
		(x0.1)	A	0.025...0.25
		(x1)	A	0.25...2.5
		(x10)	A	2.5...25
	Tripping delay time			
		(tx1)	s	0.02...0.5
		(tx10)	s	0.2...5
Selection of multiplier for $I_{\Delta n}$ and t				By dip switches
Resetting				Configurable automatic or manual by button on front
Test Button				Yes
Shunt circuit control				No
Auxiliary supply				
Auxiliary rated supply voltage U_s				110... 125VAC/DC;220... 240/380... 415VAC
Operational limits				110... 125VAC/DC or 220...240VAC or 380...415VAC
Output contacts				2
Rated frequency			Hz	50...60
Power consumption Max			VA	3
Relay outputs				
Relay state				Configurable normally de-energised or energised

Contact arrangement				2 changeover SPDT each (both trip)
Rated contact capacity IEC Ith				5A - 250VAC
Insulations				
Power frequency withstand voltage	kV			2.5kV for 60s
Indications				
Auxiliary voltage available (ON)				Green LED
Relay tripping (TRIP)				Red LED
Connections				
Terminals type				Fixed
Tightening torque for terminals		max	Nm	0.5
		max	lbin	4.5
Conductor section	AWG/Kcmil			
		min		24
		max		12
	IEC			
		min	mm ²	0.2
		max	mm ²	2.5
Operations				
Mechanical life	cycles			50000000
Electrical life	cycles			300000
Ambient conditions				
Temperature	Operating temperature			
		min	°C	-10
		max	°C	+60
	Storage temperature			
		min	°C	-20
		max	°C	+80
Relative humidity				% ≤90%
Housing				
Material				Self-extinguishing polycarbonate
Mounting				35mm DIN rail
Degree of protection				IP20 terminals
Dimensions (W x H x D)	mm			105x89x72
Weight	g			375
Dimensions				



Wiring diagrams



Certifications and compliance

Compliant with standards

IEC/EN 60947-2

Certificates

EAC

ETIM classification

ETIM 8.0

EC001445 -
Residual current
monitoring relay