



# SYL-1204-GOM11-X1

Y- and T-connectors

PLUG CONNECTORS AND CABLES

**SICK**  
Sensor Intelligence.



### Ordering information

| Type              | Part no. |
|-------------------|----------|
| SYL-1204-G0M11-X1 | 6055011  |

Other models and accessories → [www.sick.com/Y\\_and\\_T-connectors](http://www.sick.com/Y_and_T-connectors)

### Detailed technical data

#### Technical specifications

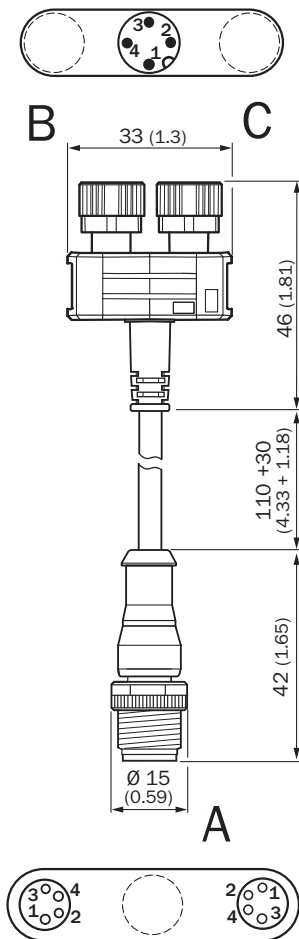
|                                      |   |
|--------------------------------------|---|
| <b>Accessory family</b>              | Y-junctions   |
| <b>Connection type head A</b>        | Male connector, M12, 4-pin, A-coded   |
| <b>Connection type head B</b>        | Female connector, M12, 4-pin, A-coded   |
| <b>Connection type head C</b>        | Female connector, M12, 4-pin, A-coded   |
| <b>Signal type</b>                   | Sensor/actuator cable   |
| <b>Connecting cable</b>              | 0.11 m, PVC   |
| <b>Cable material</b>                | PVC   |
| <b>Conductor cross section</b>       | 0.34 mm <sup>2</sup>  |
| <b>Locking nut material</b>          | Zinc die-cast, nickel-plated  |
| <b>Material knurled screw head A</b> | Zinc die-cast, nickel-plated  |
| <b>Material knurled screw head C</b> | Zinc die-cast, nickel-plated  |
| <b>Width across flats</b>            | 13  |
| <b>Shielding, head</b>               | Unshielded  |
| <b>Reference voltage</b>             | ≤ 30 V DC   |
| <b>Current loading</b>               | 4 A   |
| <b>Contamination rating</b>          | 3   |
| <b>Note</b>                          | T-coupler 2 x M12 female + M12 male straight with cable   |
| <b>Ambient operating temperature</b> | -5 °C ... +80 °C, flexible use<br>-30 °C ... +80 °C, stationary position  |
| <b>Enclosure rating</b>              | IP67  |
| <b>Description</b>                   | Y-Junction, 2 x female connector M12, 4-pin, straight, 0.11 m PVC-cable, 1 x male connector M12, 4-pin, straight, to connect SICK Sensors with SICK Smart Sensors |
| <b>Ambient operating temperature</b> |   |
| Head                                 | -25 °C ... +80 °C   |

#### Classifications

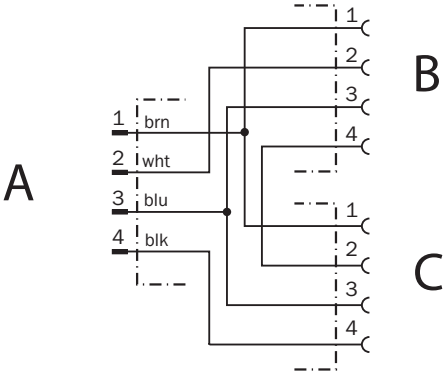
|                     |          |
|---------------------|----------|
| <b>ECLASS 5.0</b>   | 27279201 |
| <b>ECLASS 5.1.4</b> | 27279201 |
| <b>ECLASS 6.0</b>   | 27279201 |
| <b>ECLASS 6.2</b>   | 27279201 |
| <b>ECLASS 7.0</b>   | 27279201 |
| <b>ECLASS 8.0</b>   | 27279201 |
| <b>ECLASS 8.1</b>   | 27279201 |

|                       |          |
|-----------------------|----------|
| <b>ECLASS 9.0</b>     | 27440108 |
| <b>ECLASS 10.0</b>    | 27440108 |
| <b>ECLASS 11.0</b>    | 27440108 |
| <b>ECLASS 12.0</b>    | 27440108 |
| <b>ETIM 5.0</b>       | EC002585 |
| <b>ETIM 6.0</b>       | EC002585 |
| <b>ETIM 7.0</b>       | EC002585 |
| <b>ETIM 8.0</b>       | EC002585 |
| <b>UNSPSC 16.0901</b> | 31163032 |

### Dimensional drawing (Dimensions in mm (inch))



Connection diagram



## SICK AT A GLANCE

SICK is one of the leading manufacturers of intelligent sensors and sensor solutions for industrial applications. A unique range of products and services creates the perfect basis for controlling processes securely and efficiently, protecting individuals from accidents and preventing damage to the environment.

We have extensive experience in a wide range of industries and understand their processes and requirements. With intelligent sensors, we can deliver exactly what our customers need. In application centers in Europe, Asia and North America, system solutions are tested and optimized in accordance with customer specifications. All this makes us a reliable supplier and development partner.

Comprehensive services complete our offering: SICK LifeTime Services provide support throughout the machine life cycle and ensure safety and productivity.

For us, that is “Sensor Intelligence.”

## WORLDWIDE PRESENCE:

Contacts and other locations –[www.sick.com](http://www.sick.com)