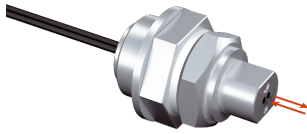


# LL3-KX01

LL3

FIBERS

**SICK**  
Sensor Intelligence.



## Ordering information

Type	Part no.
LL3-KX01	5343156

Other models and accessories → [www.sick.com/LL3](http://www.sick.com/LL3)

## Detailed technical data

### Features

<b>Device type</b>	Fibers
<b>Functional principle</b>	Proximity system
<b>For fiber-optic sensor</b>	GLL170(T), WLL180, WLL24 Ex
<b>Fiber length</b>	3,000 mm
<b>Fiber head material</b>	Stainless steel
<b>Outer diameter, fiber-optic cable connection</b>	1.3 mm
<b>Thread diameter (housing)</b>	M10
<b>Fiber arrangement</b>	Monofiber
<b>Core structure</b>	Ø 1,0 mm Monofiber
<b>Compatibility with infrared light (1,450 nm)</b>	No
<b>Adapter end sleeves required</b>	Yes
<b>Integrated lens</b>	No
<b>Items supplied</b>	Adapter sleeves
<b>Compatibility tip adapters</b>	No

### Mechanics/electronics

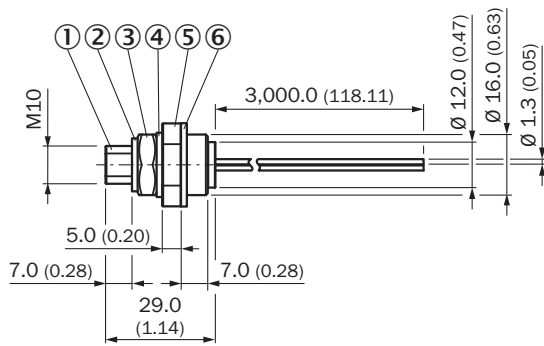
<b>Bend radius, fibre-optic cable</b>	25 mm
<b>Ambient operating temperature</b>	-40 °C ... +70 °C

### Classifications

<b>ECLASS 5.0</b>	27270905
<b>ECLASS 5.1.4</b>	27270905
<b>ECLASS 6.0</b>	27270905
<b>ECLASS 6.2</b>	27270905
<b>ECLASS 7.0</b>	27270905
<b>ECLASS 8.0</b>	27270905
<b>ECLASS 8.1</b>	27270905
<b>ECLASS 9.0</b>	27270905
<b>ECLASS 10.0</b>	27270905
<b>ECLASS 11.0</b>	27270905
<b>ECLASS 12.0</b>	27270905
<b>ETIM 5.0</b>	EC002651

<b>ETIM 6.0</b>	EC002651
<b>ETIM 7.0</b>	EC002651
<b>ETIM 8.0</b>	EC002651
<b>UNSPSC 16.0901</b>	39121528

**Dimensional drawing** (Dimensions in mm (inch))



- ① Mounting nuts SW, 8
- ② Teflon washer Ø 14 x 1.5
- ③ M10 nut, flat
- ④ Bonded seal M10 x 17 x 1,5
- ⑤ Mounting nuts SW, 19
- ⑥ Teflon washer Ø 22 x 1.5

## SICK AT A GLANCE

SICK is one of the leading manufacturers of intelligent sensors and sensor solutions for industrial applications. A unique range of products and services creates the perfect basis for controlling processes securely and efficiently, protecting individuals from accidents and preventing damage to the environment.

We have extensive experience in a wide range of industries and understand their processes and requirements. With intelligent sensors, we can deliver exactly what our customers need. In application centers in Europe, Asia and North America, system solutions are tested and optimized in accordance with customer specifications. All this makes us a reliable supplier and development partner.

Comprehensive services complete our offering: SICK LifeTime Services provide support throughout the machine life cycle and ensure safety and productivity.

For us, that is “Sensor Intelligence.”

## WORLDWIDE PRESENCE:

Contacts and other locations –[www.sick.com](http://www.sick.com)