

Part number

# CQ 08 IAP



Angled Bulkhead mounting housing, CQ series, with 1 lever, Pg21 cable entry, size "32.13"

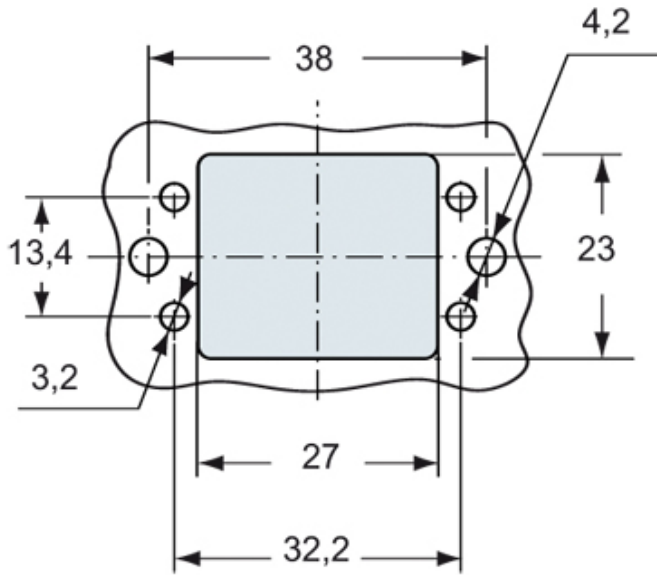
Product description		Material properties	
<b>Product type</b>	Angled bulkhead mounting housing	<b>Other materials</b>	Lever: Polyamide (PA) Gasket: NBR
<b>Series</b>	CQ	<b>Colour</b>	RAL 9005 black
<b>Closing type</b>	With 1 lever	<b>RoHs conformity</b>	Compliant
<b>Size</b>	Size "32.13"	<b>China RoHs - EFUP</b>	E
<b>Cable entry</b>	Pg21	<b>REACH SVHC substances</b>	No
Technical data		Approvals / Standards	
<b>IP degree of protection</b>	IP66 / IP67 / IP69	<b>Certifications</b>	DNV, BV
Further technical details		<b>UL</b>	ECBT2
<b>Weight</b>	36,00 g	<b>cUL</b>	ECBT8
<b>Operating temperature range (min, max)</b>	-40°C...+125°C	General ordering information	
		<b>EAN13 code</b>	8015747095518
		Packaging Information	
		<b>Packaging length</b>	350,00 mm
		<b>Packaging height</b>	160,00 mm
		<b>Packaging width</b>	300,00 mm
		<b>Packaging weight</b>	2,24 kg
		<b>Packaging volume</b>	16,80 dm <sup>3</sup>
		<b>Packaging description</b>	Carton box
		<b>Packaging quantity</b>	50 Pcs
		<b>Packaging EAN code</b>	8015747212991
		<b>Sub-packaging weight</b>	0,45 kg
		<b>Sub-packaging description</b>	Plastic bag
		<b>Sub-packaging quantity</b>	10 Pcs
		<b>Sub-packaging EAN barcode</b>	8015747213004

Part number

# CQ 08 IAP

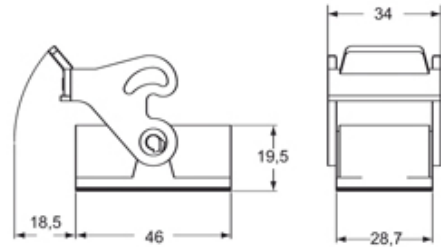


Catalogue drawings

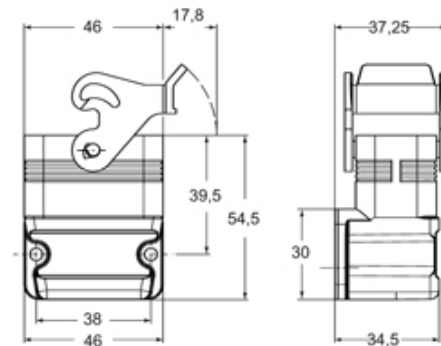


Catalogue drawings

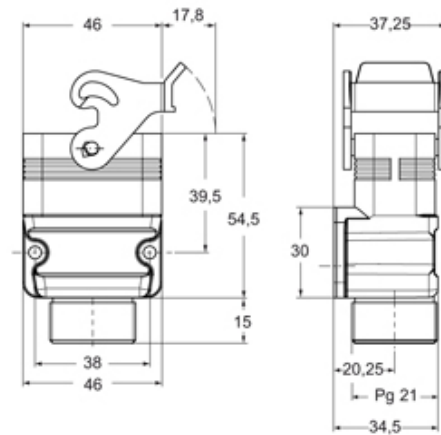
CQ I



CQ IA



CQ IAP



## Notes

Pg male thread on outside of enclosure

Dimensions shown in mm are not binding and may be changed without notice.