

Part number

MIO 24 YX50



Hood, CENTRAL LEVER series, with 1 lever, M50 side cable entry, size "104.27", high construction, inclined

Product description

Product type	Hood
Series	CENTRAL LEVER
Closing type	With 1 lever
Size	Size 104.27
Cable entry	Side cable entry M50
Specification	High construction, inclined

Technical data

IP degree of protection IP65 / IP66 / IP69

Further technical details

Operating temperature range (min, max) -40°C...+125°C

Material properties

Other materials	Lever: Stainless steel
Colour	RAL 7040 grey
RoHs conformity	Compliant
China RoHs - EFUP	E
REACH SVHC substances	No

Approvals / Standards

UL	ECBT2
cUL	ECBT8

General ordering information

EAN13 code	8015747166867
eCl@ss 8.1	27440202
ETIM 7.0	EC000437

Packaging Information

Sub-packaging description	Plastic packaging
Sub-packaging quantity	1 Pcs
Sub-packaging EAN barcode	8015747169011

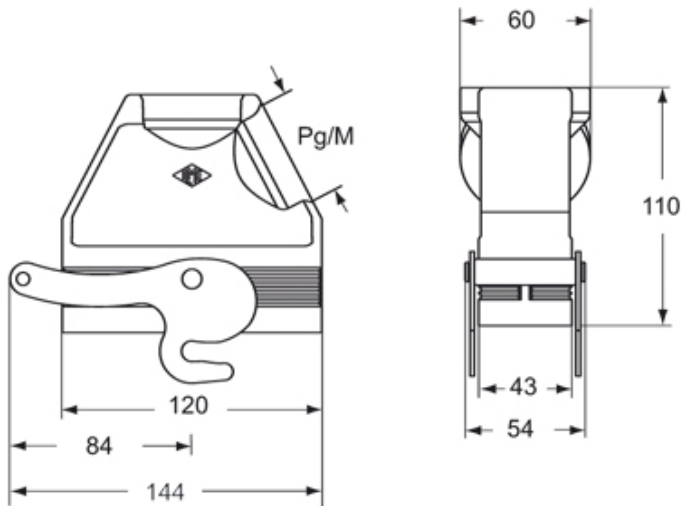
Part number

MIO 24 YX50



Catalogue drawings

CIO..YX MIO..YX



Notes

Dimensions shown in mm are not binding and may be changed without notice.