

5550 7300	<b>DATA SHEET</b>	
Valid from: 17.05.2018	<b>SILVYN® FPAX 90° M</b>	

SILVYN® FPAX 90°M is a angle conduit gland with fast fit and an inner seal for a safety assembling. For the demounting we are recommending to use a screwdriver. The gland is suitable for SILVYN® FPAS and can be used in the machine- and plant constructions.



**Material:**

Body Polyamide66  
 Sealing Polyester

**Technical Features:**

Connecting thread M16x1,5 up to M63x1,5 acc. to EN 60423  
 Nominal wide NW 13 up to NW 54  
 Protection class IP66, IP 67, IP68 (2bar) and IP69 acc. to EN 60529  
 Depending on the used conduit  
 Temperature range -50°C up to +135°C

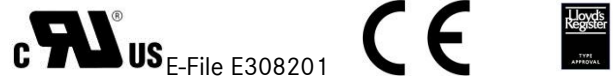
**Additional features:**

Fire classification V2 acc. to UL94  
 Free of halogen, sulphur and phosphorus  
 UV-Resistant SILVYN® FPAX-M black

**Colour:**

Black  
 Grey

**Approbation:**



**Reference standards:**

EN 61386-1

**Suitable conduits:**

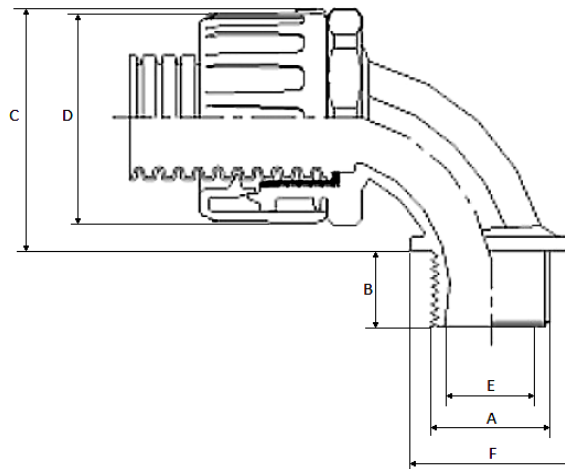
SILVYN® FPAS

For more information please see our current catalogue. Please do not hesitate to contact our laboratory if there are any questions regarding resistance against aggressive agents and special oil.

Creator: MAU1/PDP Released: DAMU1/PDP	Document: DB55507300EN Version: 03	Page 1 of 2
--	---------------------------------------	-------------

5550 7300	<b>DATA SHEET</b>	
Valid from: 17.05.2018	<b>SILVYN® FPAX 90° M</b>	

**Product drawing:**



**Dimension table:**

Part No.	NW	Thread A	Thread length B mm	Length C mm	Diameter mm		Wrench size F mm	Weight g
					E	ØD max		
<b>SILVYN® FPAX 90° M black</b>								
5550 7300	13	M16x1,5	11,0	35,0	10,5	24,0	22	12,9
5550 7301	16	M16x1,5	11,0	38,0	10,5	29,0	22	15,7
5550 7302	16	M20x1,5	13,0	38,0	14,0	29,0	27	17,9
5550 7303	21	M20x1,5	13,0	40,0	14,0	32,0	27	17,2
5550 7304	28	M25x1,5	15,0	51,0	19,0	44,0	32	40,9
5550 7305	34	M32x1,5	16,0	59,0	24,5	51,0	40	59,4
5550 7306	42	M40x1,5	16,0	82,0	32,0	63,0	50	104,0
5550 7307	42	M50x1,5	16,0	83,0	39,0	63,0	60	117,5
5550 7308	54	M50x1,5	16,0	88,0	39,0	76,0	60	153,0
5550 7309	54	M63x1,5	16,0	88,0	49,5	76,0	72	198,0
<b>SILVYN® FPAX 90° M Grey</b>								
5550 7310	13	M16x1,5	11,0	35,0	10,5	24,0	22	12,9
5550 7311	16	M16x1,5	11,0	38,0	10,5	29,0	22	15,7
5550 7312	16	M20x1,5	13,0	38,0	14,0	29,0	27	17,9
5550 7313	21	M20x1,5	13,0	40,0	14,0	32,0	27	17,2
5550 7314	28	M25x1,5	15,0	51,0	19,0	44,0	32	40,9
5550 7315	34	M32x1,5	16,0	59,0	24,5	51,0	40	59,4
5550 7316	42	M40x1,5	16,0	82,0	32,0	63,0	50	104,0
5550 7317	42	M50x1,5	16,0	83,0	39,0	63,0	60	117,5
5550 7318	54	M50x1,5	16,0	88,0	39,0	76,0	60	153,0
5550 7319	54	M63x1,5	16,0	88,0	49,5	76,0	72	198,0