



Product designation	Automatic battery chargers
Product type designation	BCE
Type	Single phase automatic battery charger 1 charging level for lead-acid batteries

**Power supply**

Rated voltage Us	min	VAC	220
	Max	VAC	240 ±10%
Operational frequency	min	Hz	50 ±5%
	max	Hz	60 ±5%
Power consumption	Max	VA	166
	Max	W	26

**Charging cycle**

Reference standards	IEC60335-2-29
Battery type	lead-acid
Battery voltage	VDC 24
Charging voltage (Uc)	27.6
Charging current (Ic)	A 2.5
Charging current adjustment	% Ic 30 to 100

Protections	Battery output fuse; charging inhibition due to: 1. Short circuit at battery terminals; 2. Reverse battery polarity; 3. Low voltage at battery poles; 4. Output overload.
-------------	---

External fuse	1
---------------	---

**Indications**

LED indicator for operating status	Yes
LED reverse battery polarity	Yes

**Alarm output circuit**

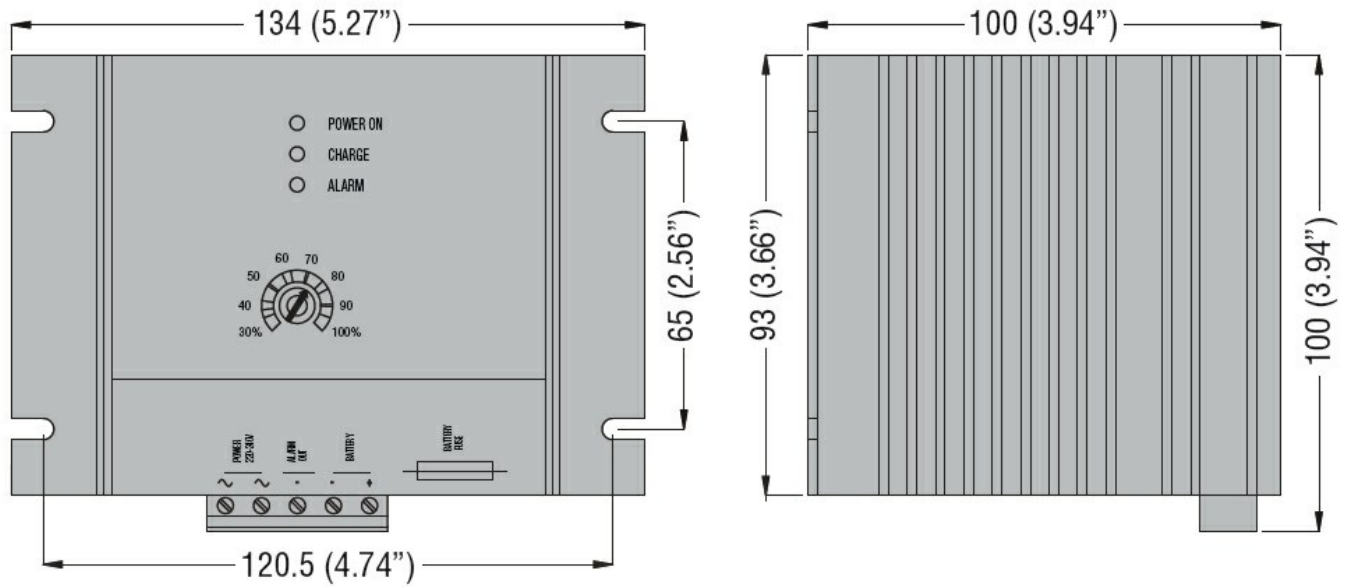
Output type	NPN transistor
-------------	----------------

**Mechanical features**

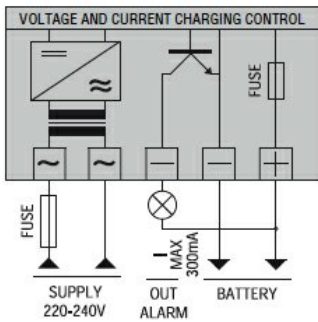
Housing type	Internal panel mounting
Terminals type	Removable/plug-in

Fixing				Screw fixing
Weight	g			1992
<b>Ambient conditions</b>				
Temperature				
Operating temperature				
	min	°C	-10	
	max	°C	+50	
Storage temperature				
	min	°C	-30	
	max	°C	+80	
Protection degree				IP00

**Dimensions**



**Wiring diagrams**



**Certifications and compliance**

**Compliance**

IEC/EN 60335-2-29

**Certificates**

EAC

**ETIM classification**

ETIM 8.0

EC000359 -  
Universal charger